

## Category 6A Shielded Keystone Jack



### **Category 6A Shielded Keystone Jack (SGKSsu+)**

Our die-cast fully shielded Category 6A jack offer a toolless keystone solution for any Category 6A requirement.

#### **Features**

- High performance compliant with TIA/EIA 568-B.2-10 at component level
- Quick and easy toolless lever termination
- Fully shielded die-cast body is robust as well as offering outstanding performance in eliminating alien cross-talk
- Standard format keystone fits a wide range of panels, adaptors and faceplates

#### **Specifications**

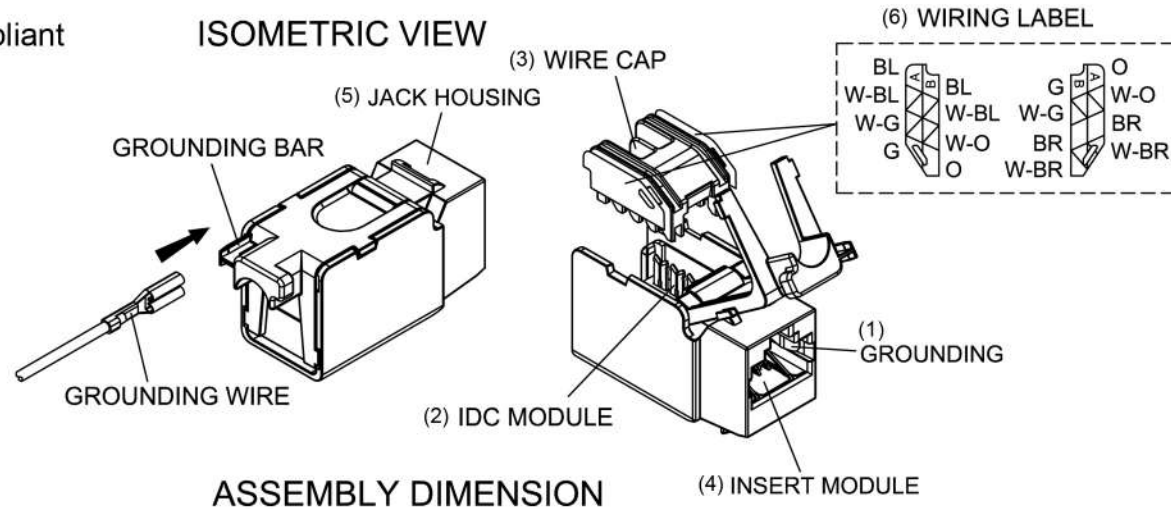
- Dimensions: 41.8 x 17 x 19.3mm (LxWxH)
- Weight: 29g approx
- Materials: Zinc alloy housing; 50µ"/1.27µm gold plating over nickel over phosphor bronze on contacts
- Plug insertion life: > 750 insertions
- Individually packed (supplied with cable tie)

**Commodity Code:** 85444920

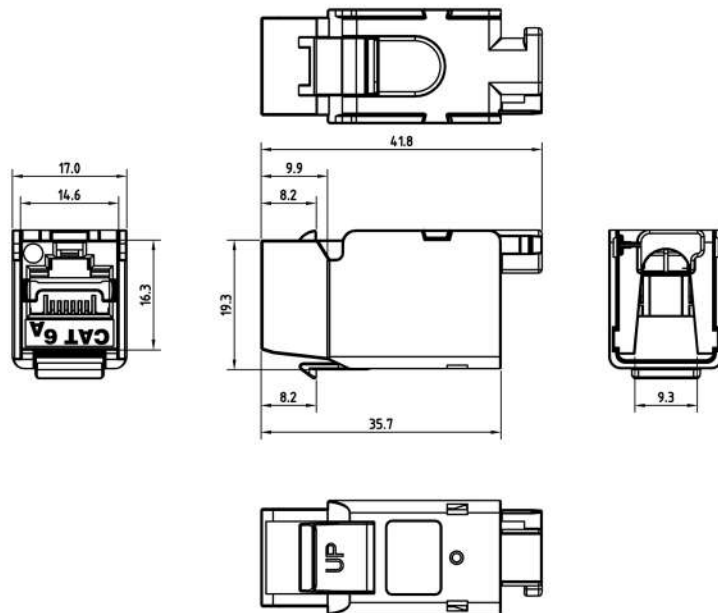
**EAN Number:** 5055386507211

ROHS Compliant

Code: **SGKSsu+**



ASSEMBLY DIMENSION



COMPONENTS		
ITEM	PART NAME	Q'TY
1	GROUNDING	1
2	IDC MODULE	1
3	WIRE CAP	1
4	INSERT MODULE	1
5	JACK HOUSING	1
6	WIRING LABEL	2

TRANSMISSION PERFORMANCE  
**MEET ALL REQUIREMENTS SPECIFIED IN CONNECTING HARDWARE REQUIREMENT OF:**  
**DRAFT ISO/IEC 11801 AMENDMENT 2, CATEGORY 6A**  
**DRAFT ISO/IEC 60603-7-51**  
**ANSI/TIA-568-C.2, CATEGORY 6A**

ELECTRICAL  
**ELECTRICAL INSULATION RESISTANCE : 500 MΩ MIN. @ 100V D.C**  
**DIELECTRIC WITHSTANDING VOLTAGE : 1000V D.C. OR A.C. PEAK CONTACT TO CONTACT @ 60HZ FOR 1 MINUTE, 1500V D.C. OR A.C. PEAK CONTACT TO PANEL @ 60HZ FOR 1 MINUTE**

MECHANICAL  
**INSERTION / EXTRACTION LIFE : 750 CYCLES MINIMUM**  
**IDC WIRE GAUGE : 22 ~ 24 AWG**

PHYSICAL  
**HOUSING : ZINC-ALLOY FULLY SHIELDED**  
**SPRING WIRE : PHOSPHOR BRONZE ALLOY PLATED WITH 50 MICRO-INCH OF GOLD**  
**IDC : PHOSPHOR BRONZE ALLOY WITH 100 MICRO-INCH 100% SN ALLOY**

UNLESS OTHERWISE SPECIFIED:  
 TOLERANCES

INCH	MM	ANGULAR
.X ± .018	.X ± 0.2	X ± 1°
.XX ± .008	.XX ± 0.1	.X ± .5°
.XXX ± .004		

Unit: mm