

USB 2.0 A female to A female keystone coupler



USB2 A to A keystone coupler (KCUAA2bk/wh)

This USB2 keystone coupler can be used as a link between e. g. a USB cables. With its standardised dimensions it can be used for easy snap-in mounting in a keystone patch panel, face plate or surface-mount box.

Features

- USB 2.0 keystone coupler (A type female connectors on the front and back)
- Backwards compatible with USB1.1 type
- Designed to fit industry standard keystone patch panels
- Available as part of our innovative new panel mount coupler (KCUAA2bk/whpm), designed for easy mounting on panels of virtually any thickness
- Also now offered as part of our D UNIVERSAL range (KCUAA2Dpm) designed to fit XLR cut-outs

Specifications:

- Dimensions: approx 35.5x19.5x16mm
- Weight: approx 8g
- Colour: black or white
- Connection: USB2.0 A F/F
- USB power connected device 1.5A at 30V
- Materials:

Housing: ABS UL94V-0

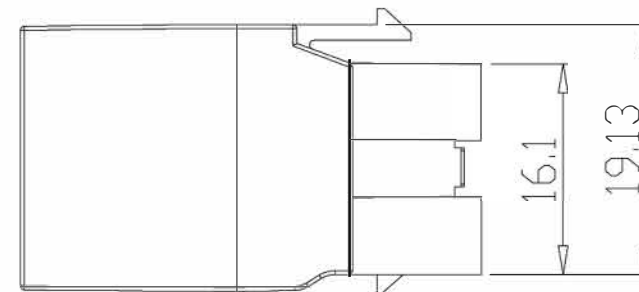
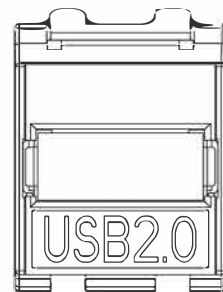
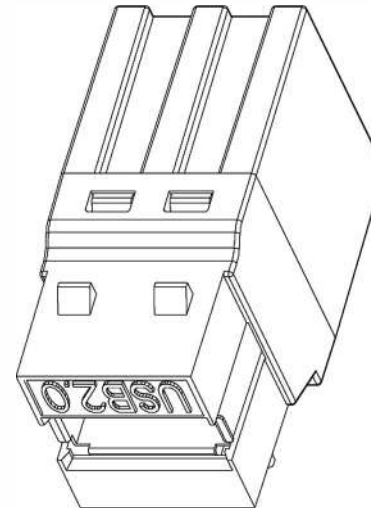
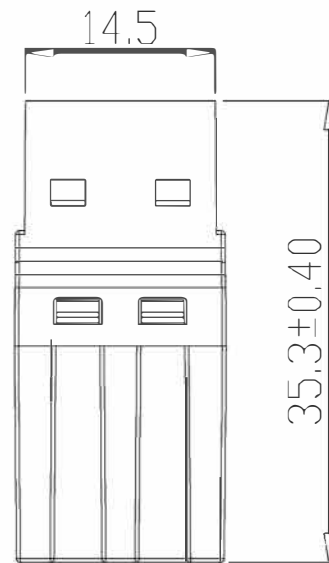
Contact: Copper alloy

Shell: Nickel plated copper alloy

EAN Numbers: KCUAA2bk - 5055386504906; KCUAA2wh - 5055386507051

ROHS Compliant

Code: KCUAA2bk
KCUAA2wh



Electrical:

Voltage rating: 30VDC (rms)
Current rating: 1.5 AMPS (max)
Insulation Resistance > 1000 megaohms
Contact Resistance < 30 milliohms
Operating temperature: -20 50°C
Storage temperature: -40 70°C