

Category 6 Outlets & Faceplates



CONNECT+ Category 6 outlets & Faceplates (SJKsu + KPH1 + KPJ2su + KPL4su + KPR0.5su + KPR1su)

Features:

- High performance Category 6 permanent link level outlet
- Suitable for LSA+ type or 110 type terminations
- Shallow profile, supplied with individual labelling facility
- Supplied with cable retention clip
- Shuttered front aperture protects against ingress of dust

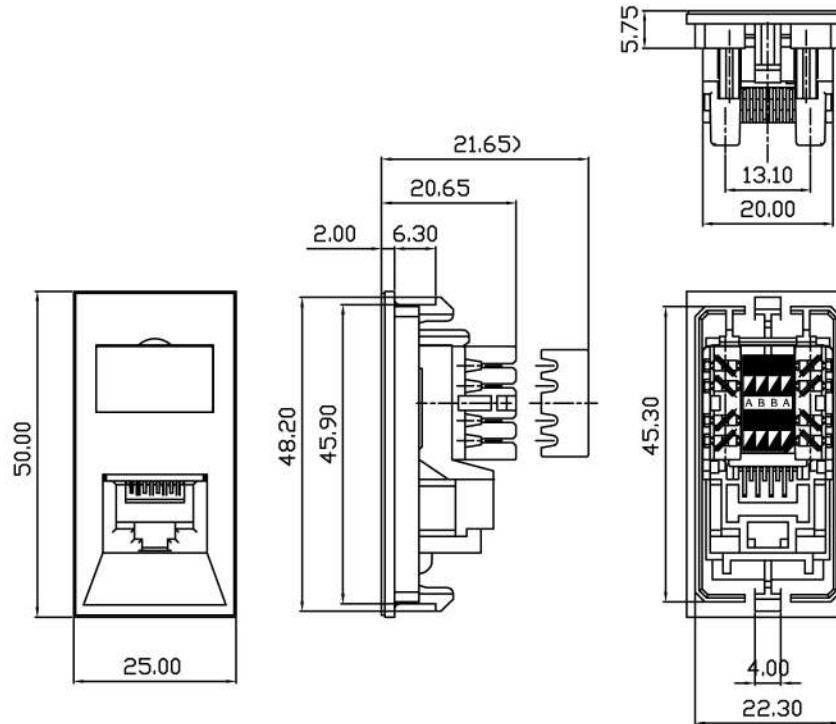
Materials:

- Outer casing: ABS, UL approved
- Contact plating: 50µ"/1.27µm gold (Outlet)
- Colour: High finish bright white (Other colours available to order)

CODE	DESCRIPTION	DIMENSIONS (mm)
SJKsu	Outlet	25 x 50
KPH1	1 port face plate	86 x 86 (fits one outlet)
KPJ2su	2 port face plate	86 x 86 (fits two outlets)
KPL4su	4 port face plate	86 x 86 (fits four outlets)
KPR0.5su	Half blank	12.5 x 50
KPR1su	Blank	25 x 50

ROHS Compliant

Code: SJKsu



Transmission Performance:
Meets TIA/EIA-568-B2-1 Cat 6 15m Short Link Requirements.

ENVIRONMENTAL CONDITIONS

Temperature Range
Storage -40 to +70°C
Operation -10 to +60°C
Relative Humidity (Operational) : Maximum Noncondensing 93%

ELECTRICAL

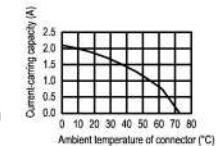
Electrical Insulation Resistance : 500 MΩ min. @ 100V d.c
Dielectric Withstanding Voltage :
1000V d.c. or a.c. Peak Contact to Contact @ 60Hz for 1 minute.
Spring Wire Contact Resistance : 20 mΩ Max.
IDC Contact Resistance : 2.5 mΩ Max.
Current Rating : as figure.

MECHANICAL

Retention : 50N (11 lbf) for 60s±5s
Insertion / Extraction Life : 750 Cycles Minimum
IDC Wire Gauge : 22 ~ 24 AWG

PHYSICAL

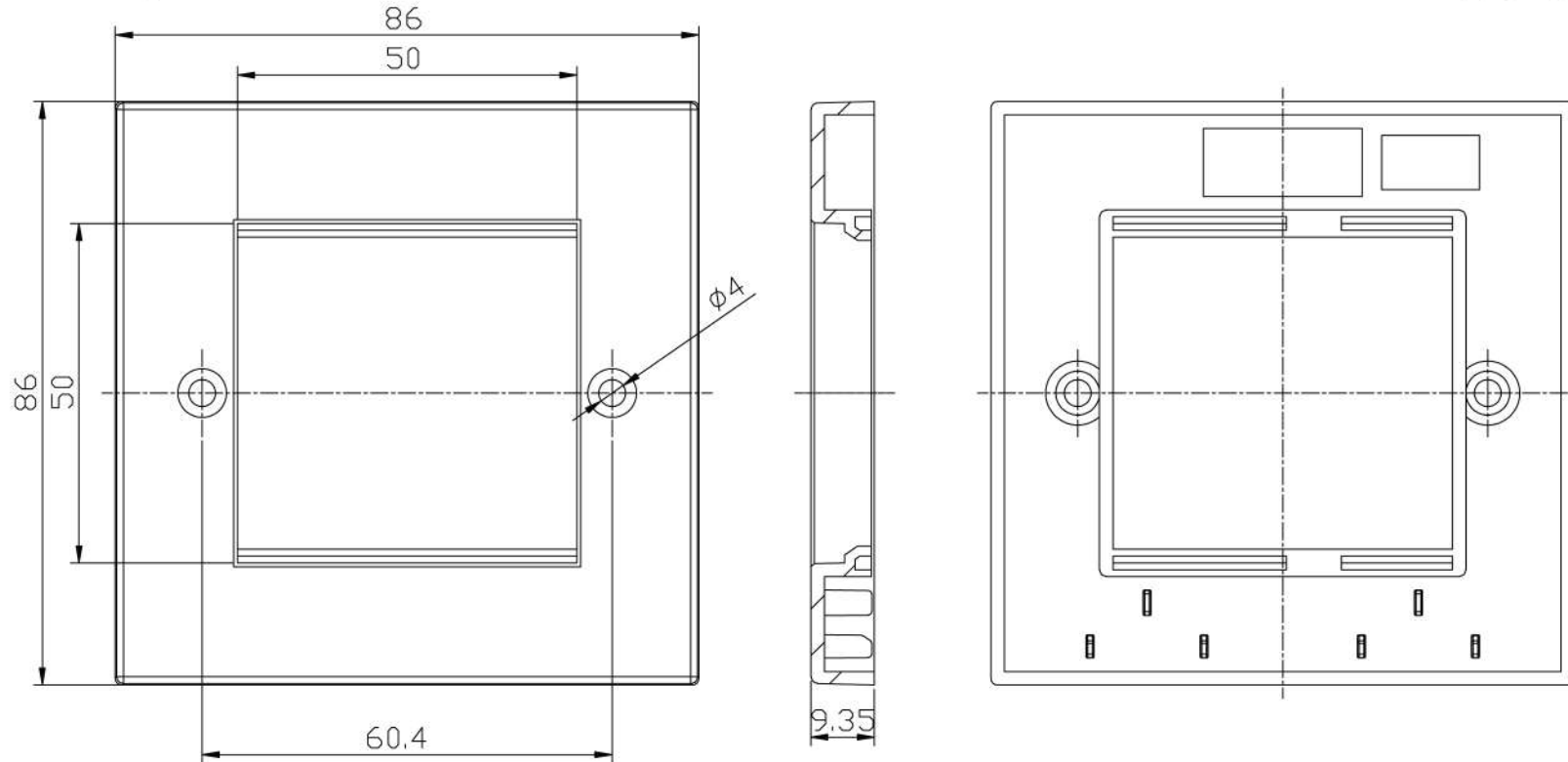
Housing : High-Impact, Flame-Retardant Plastic, UL 94V-0
Spring Wire : Phosphor Bronze Alloy Plated With 50 micro-inch of Gold Over 70 min. micro-inch of Nickel (50 micro-inch Gold Plating only in Contact Area).
IDC Terminal : Phosphor Bronze Alloy Plated With 100 min. micro-inch Tin.



N	W	TUK Ltd Code: SJKsu			
	7				
MATERIAL	DRAWN	Allan	12/26/02		
SURFACE	CHECK			SIZE	DRAWING NUMBER
FINISH	APPROVED			A4	Z1231
				PART NUMBER	REV
					C
				SCALE	1 : 1
				UNIT	mm
				SHEET	1 OF 1

ROHS Compliant

Code: KPJ2su



ENVIRONMENTAL CONDITIONS

Temperature Range

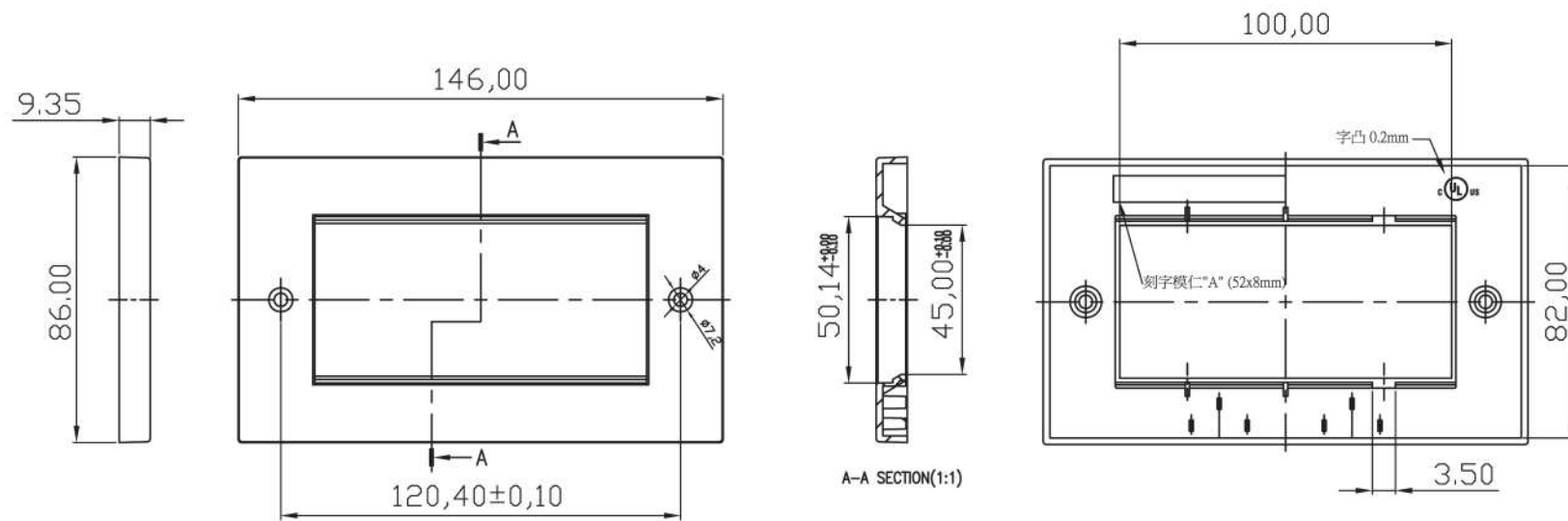
Storage -40 to +70°C

Operation -10 to +60°C

Relative Humidity (Operational) : Maximum Noncondensing 93%

UNLESS OTHERWISE SPECIFIED: TOLERANCES		PROJECT ID		TUK Ltd			
INCH	MM	ANGULAR	FILE	DATE	TITLE		
.X ± .016	.X ± 0.2	X ± 1°			2 port faceplate		
.XX ± .008	.XX ± 0.1	X ± .5°	DRAWN	02/07/15	Code: KPJ2su		
.XXX ± .004			CHECK		SIZE	DRAWING NUMBER	PART NUMBER
MATERIAL		SURFACE		FINISH	A4		REV
ABS		POLISH					A
APPROVED		SCALE		UNIT	mm	SHEET	1 OF 1

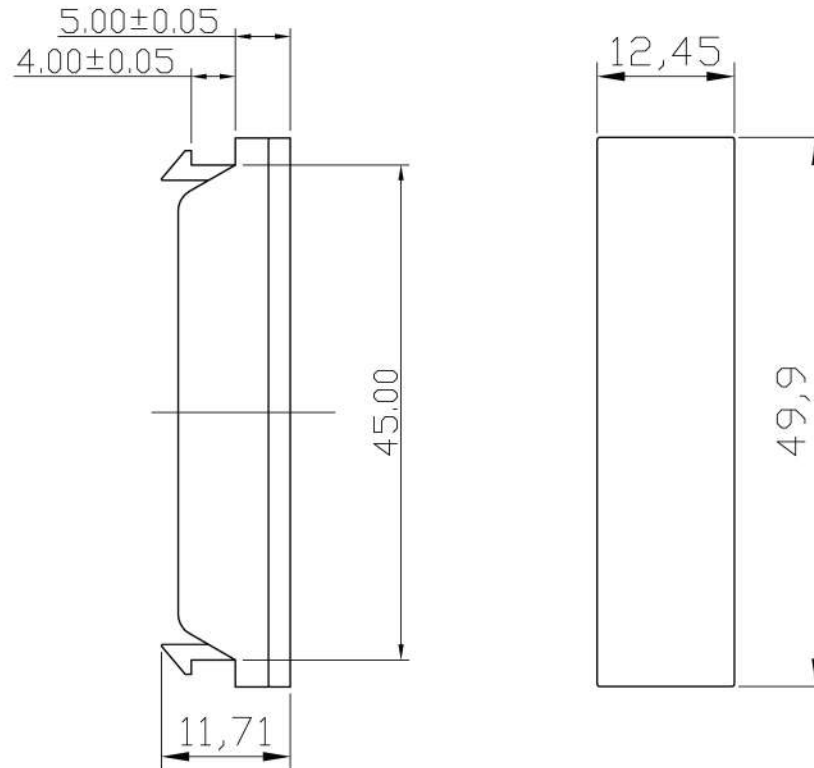
ROHS Compliant

Code: KPL4su


UNLESS OTHERWISE SPECIFIED: TOLERANCES		PROJECT ID		TUK Ltd			
INCH	MM	ANGULAR	FILE	DATE	TITLE		
.X ± .016	.X ± 0.2	X ± 1°			4 port faceplate		
.XX ± .008	.XX ± 0.1	.X ± .5°			Code: KPL4su		
.XXX ± .004				02/07/15	SIZE	DRAWING NUMBER	PART NUMBER
					A4		REV
					SCALE	1:1	UNIT mm
							SHEET 1 OF 1

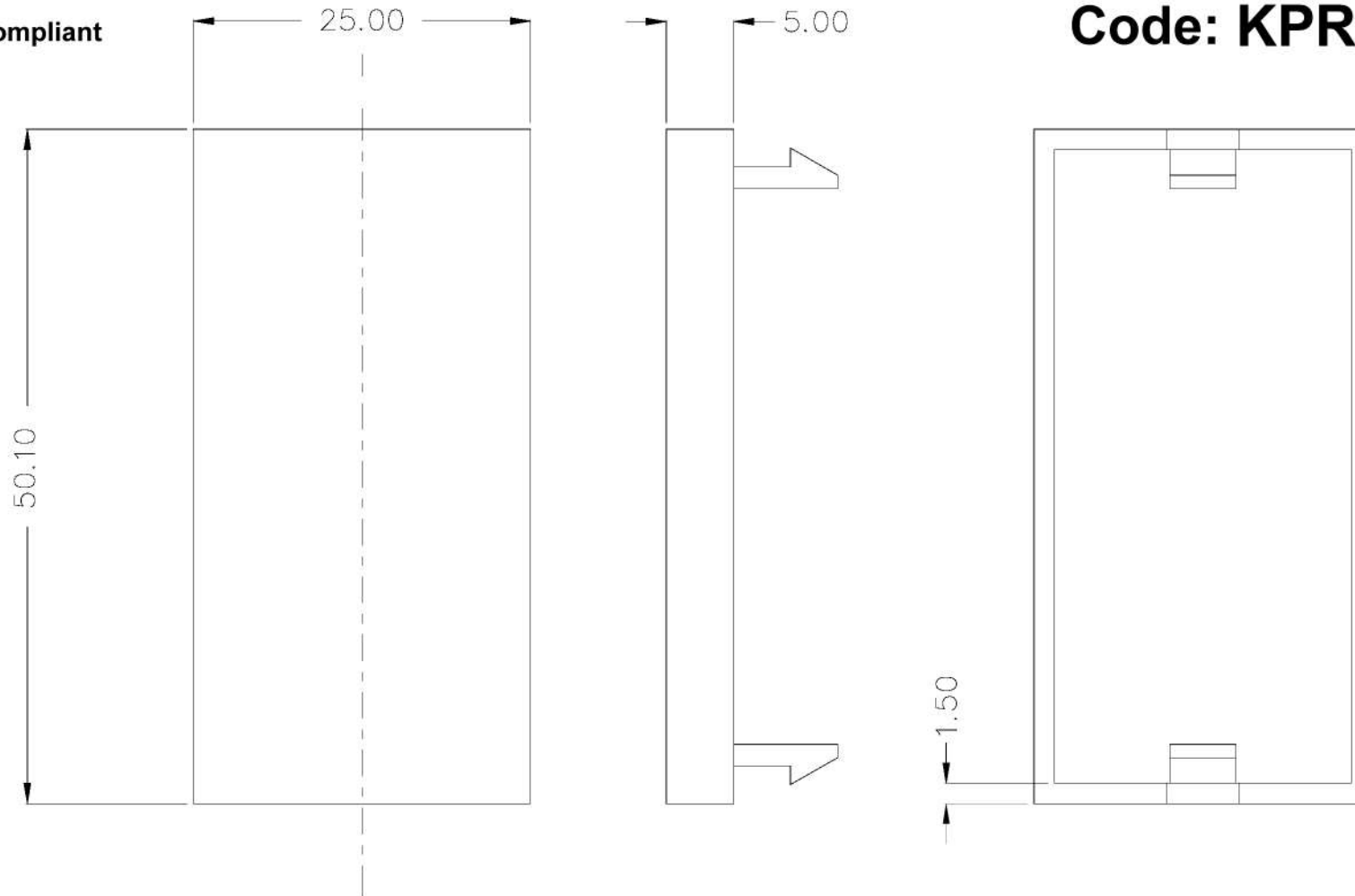
ROHS Compliant

Code: KPR0.5su



UNLESS OTHERWISE SPECIFIED: TOLERANCES		PROJECT ID		TUK Ltd			
INCH	MM	ANGULAR	FILE	DATE	TITLE		
.X ± .016	.X ± 0.2	X ± 1°			0.5 port faceplate		
.XX ± .008	.XX ± 0.1	.X ± .5°		02/07/15	Code: KPR0.5su		
.XXX ± .004					SIZE	DRAWING NUMBER	PART NUMBER
MATERIAL		ABS 94V-0		CHECK		REV	
SURFACE		APPROVED		SCALE		1/1	
FINISH				UNIT		mm	
				SHEET		OF 1	

ROHS Compliant



Code: KPR1su

ENVIRONMENTAL CONDITIONS

Temperature Range

Storage -40 to +70°C

Operation -10 to +60°C

Relative Humidity (Operational) :

Maximum Noncondensing 93%

UNLESS OTHERWISE SPECIFIED: TOLERANCES			PROJECT ID		TUK Ltd			
INCH	MM	ANGULAR	FILE	DATE	TITLE			
.X ± .016	.X ± 0.2	X ± 1°		02/07/15	1 port faceplate			
.XX ± .008	.XX ± 0.1	X ± .5°			Code: KPR1su			
.XXX ± .004					SIZE	DRAWING NUMBER	PART NUMBER	REV
					A4			A
MATERIAL	DRAWN				SCALE	1:1	UNIT	mm
SURFACE	CHECK						SHEET	1 OF 1
FINISH	APPROVED							