

Category 6 Keystone Panel Mount Coupler (Shielded)



Category 6 Keystone Panel Mount Coupler Shielded (SACK3S, SACK3S-24)

Features

- Designed to fit US industry standard keystone mount outlets wall plates and patch panels
- RJ45 complies with FCC68
- High performance data throughput, meets Category 6 data transfer rates
- Operating temperature: -40°C ~ $+60^{\circ}\text{C}$
- Jack insertion life > 750 mating cycles
- Available as part of our innovative Panel Mount and D UNIVERSAL ranges

Packaging:

- Standard product is supplied in individual polythene bags. To save time for panel assemblers, SACK3S-24 is available as a "bulk pack" of 24 pieces without individual bags.

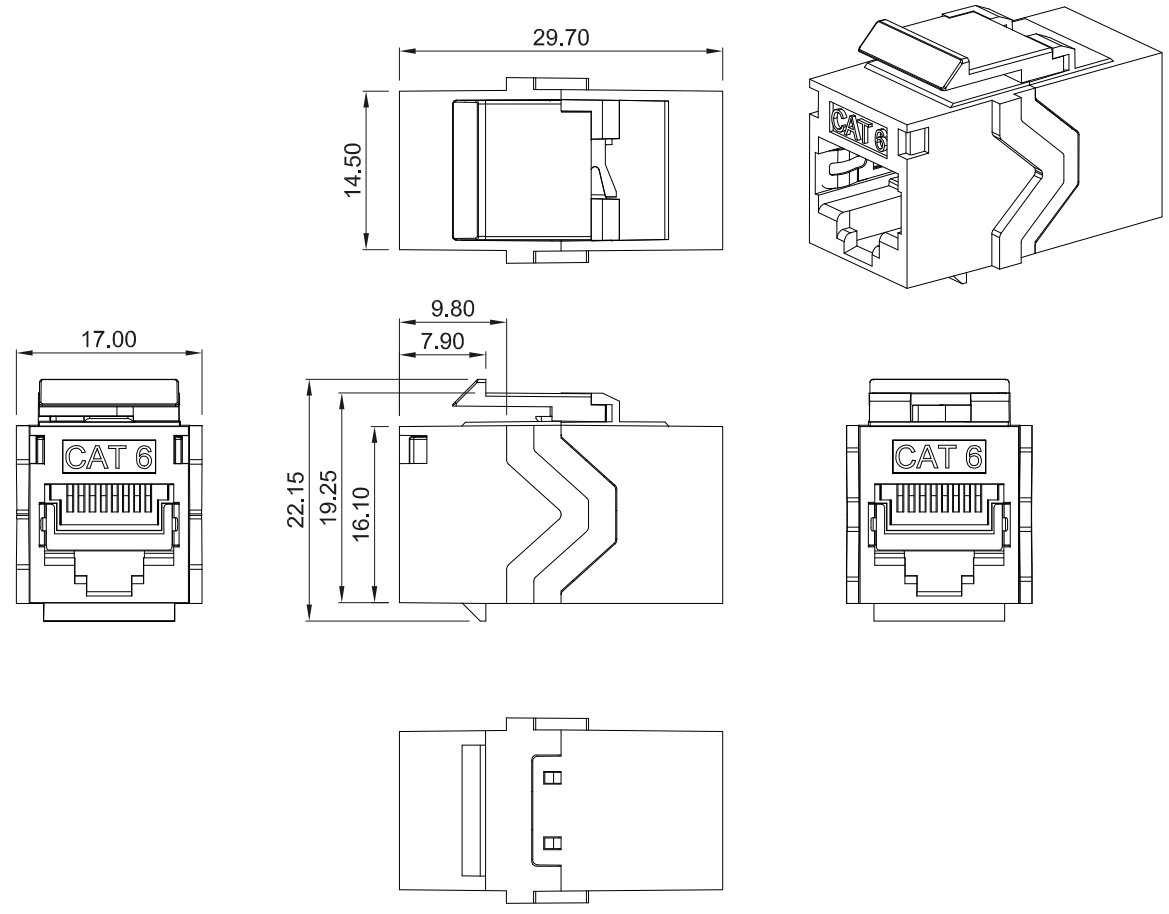
Specifications

- Dimensions
SACK3S: 29.7 x 17 x 19.25 mm approx. **SACK3S-24:** 280 x 70 x 35mm approx.
- Materials:
Housing: Nickel plated zinc alloy
Contacts: $50\mu\text{m}$ / $1.27\mu\text{m}$ gold plating over nickel plated phosphor bronze
Earthing lug material: Stainless steel SUS304
- Weight:
SACK3S: 18g approx. **SACK3S-24:** 460g approx.

1
ROHS Compliant

7	DATE	2014/08/14
	Revision	A

- Features :
- RJ45 complies with FCC part 68 standard
 - Jack insertion life >750 mating cycles
 - Operating temperature : -40°C~+60°C
- Electrical :
- Contact resistance : 20m ohm
 - DC Current rating : 1.5Amps
 - DC resistance : Max.0.1 ohm
 - Insulation Resistance : 500m ohm
 - Dielectric withstanding voltage : 1000V



TOLERANCE	
.XXXX	----
.XXX	0.10
.XX	0.25
.X	0.38

MATERIAL	
CATEGORY	<input type="checkbox"/> CAT.5E <input checked="" type="checkbox"/> CAT.6 <input type="checkbox"/> CAT.3 <input type="checkbox"/> OTHER _____
HOUSING	Zn alloy
CONTACT	0.46 mm DIAMETER PHOSPHOR BRONZE GOLD PLATED OVER NICKEL
GOLD-PLATING	<input type="checkbox"/> 0.0762um/3u inch <input type="checkbox"/> 0.15um/6u inch <input type="checkbox"/> 0.38um/15u inch <input type="checkbox"/> 0.76um/30u inch <input checked="" type="checkbox"/> 1.27um/50u inch
COLOR	<input type="checkbox"/> WHITE <input type="checkbox"/> BLACK <input type="checkbox"/> GREEN <input type="checkbox"/> BLUE <input type="checkbox"/> YELLOW <input type="checkbox"/> RED <input type="checkbox"/> ORANGE <input type="checkbox"/> IVORY <input type="checkbox"/> OTHER _____
Cosmetic	Electroplating Ni + Sandblasting

P/NO. SACK3S	
ITEM. Inline Coupler	CO. EX2136
DR. Wakka 2014/08/14	S/N. SACK3S
APPD.	CHKD.
FILE. SACK3S	
TUK Ltd	
SCALE /	
UNIT mm	SIZE A4

REV.	DESCRIPTION	ENG.	APPROVAL
1	2	3	4

5	6	7
---	---	---