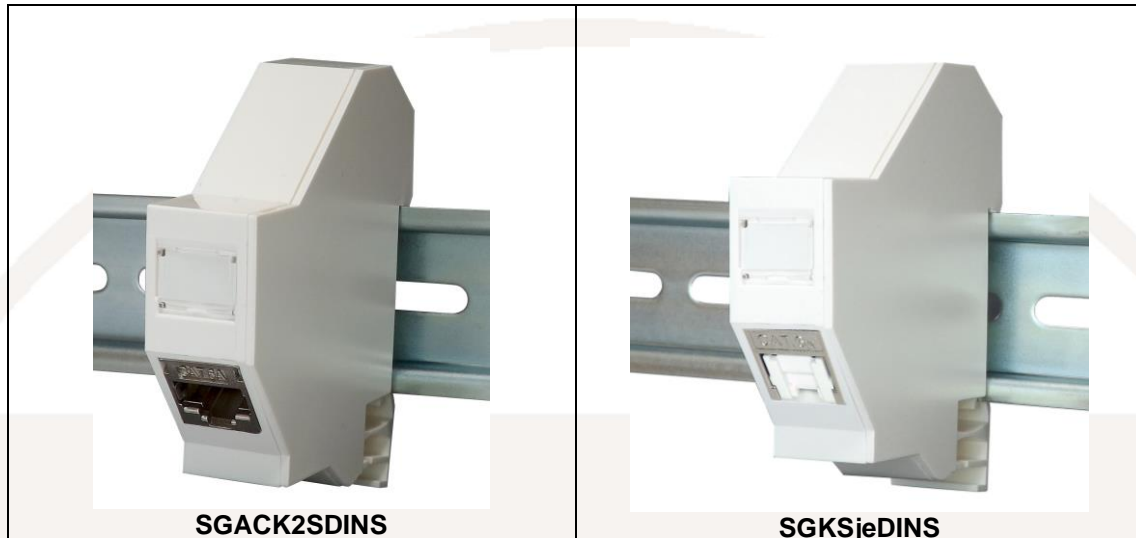


## DIN rail mountable connector range



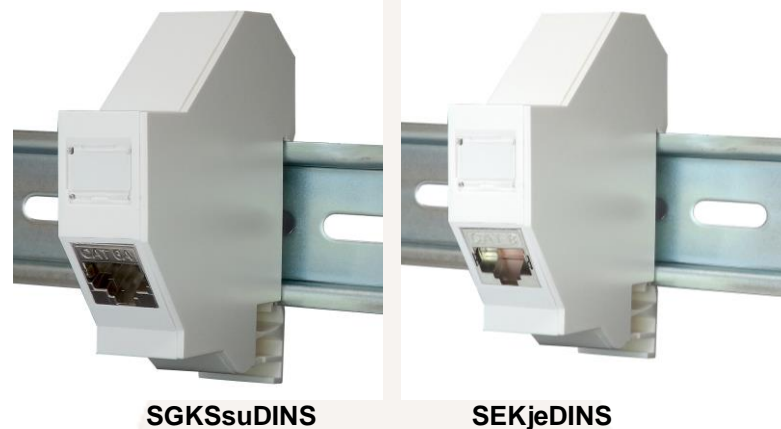
The DIN rail mountable connector range allows the performance and reliability of our standard connectors to be combined with the simplicity, affordability and usability of industrial DIN rail mounting. These connectors offer clear labelling, front access and easy installation onto any 35mm standard DIN rail. The range consists of connectors for installations of Category 5, 6, 6A and 8 (coupler and sockets).

### **Features**

- High performance couplers and sockets
- Designed for standard 35mm wide DIN rails
- Easily mountable side by side on DIN rail. Side covers can be omitted if space is restricted.
- Easy access to the connector and wiring through removable side covers
- Angled presentation provides gravity compensation for patch leads
- 'Slip-in' label facility for clear labelling
- Installation does not require any special tools – the module slides or clips easily onto the DIN rail
- Outstanding value
- Other connector variants available to order

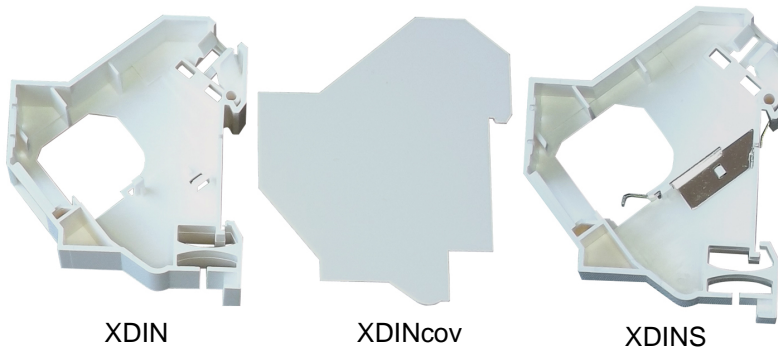
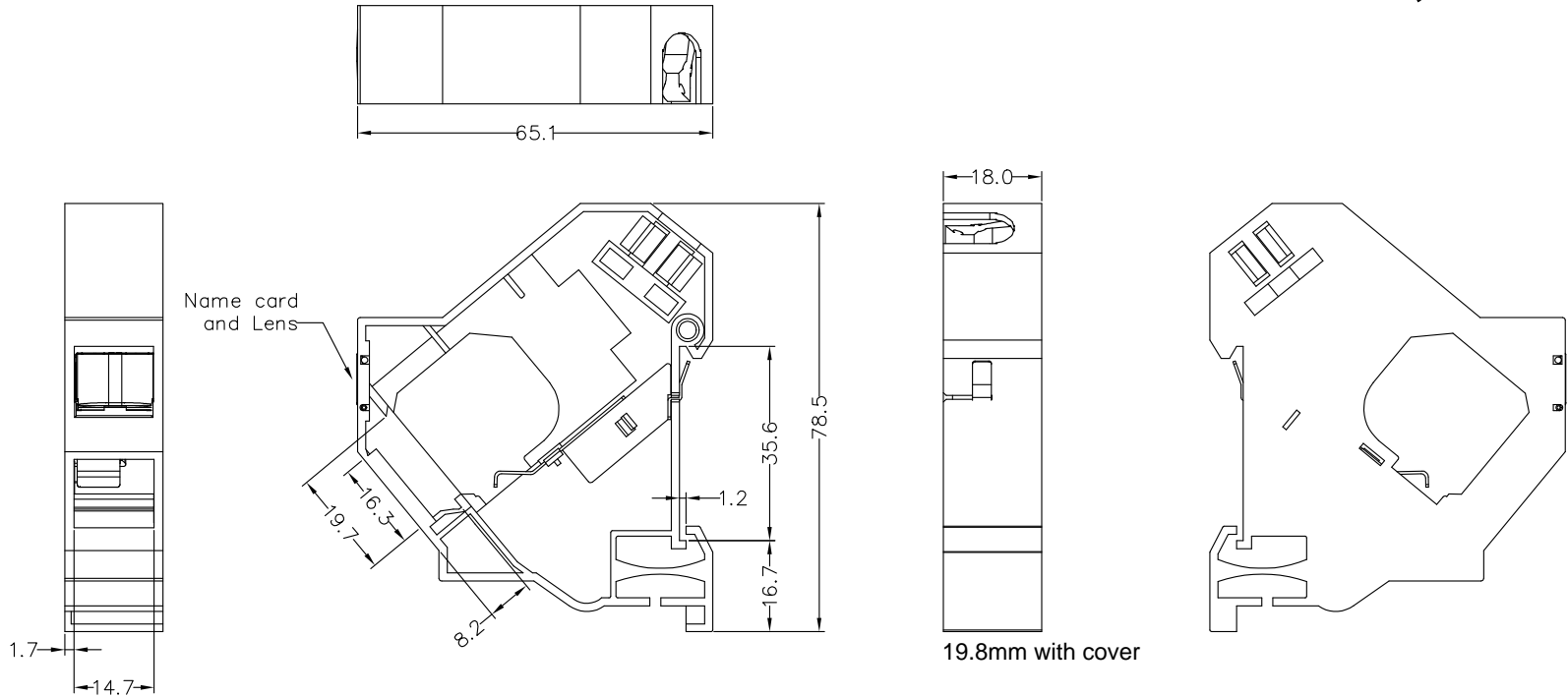
### **Specifications**

- Kit includes coupler/socket, DIN rail adaptor (shielded or unshielded) and cover
- Adaptor housing materials: PC + ABS, 94V-0 (for connector materials see detailed specification)
- For detailed specifications of each connector see separate pages as follows:
  - Category 6A STP coupler (for SGACK2SDINS):  
<http://www.tuk.co.uk/product/category-6a-shielded-keystone-panel-mount-coupler/>
  - Category 6A tool-less STP socket (for SGKSjeDINS):  
<http://www.tuk.co.uk/product/category-6a-shielded-keystone-jack/>
  - Category 6A high performance tool-less STP socket (for SGKSSUDINS):  
<http://www.tuk.co.uk/product/shielded-keystone-jack-category-6a/>
  - Category 8 tool-less STP socket (for SEKjeDINS):  
<http://www.tuk.co.uk/product/category-8-shielded-keystone-socket/>



ROHS Compliant

Code:XDIN, XDINS



**Specifications:**

1. Housing + Lens: PC + ABS, 94 V-0
2. Shielding plate: Nickel plated phosphor bronze
3. Card board: White paper