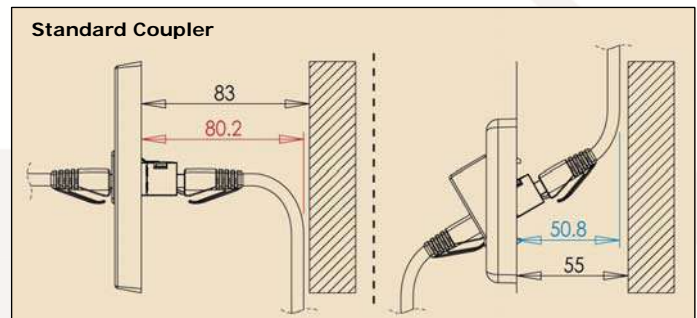
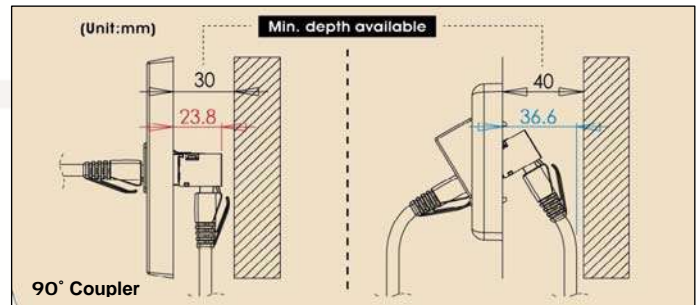


## 90° Keystone Panel Mount Coupler Category 6



### 90° Keystone Panel Mount Coupler (SACK90Bk + SACK90Wh)

High performance coupler ideal for use in backboxes and in limited space.

#### Features

- Slim and very compact design enables use in panels or faceplates where width or depth are restricted
- Designed to fit industry standard keystone mount outlets wall plates and patch panels
- High performance data throughput, meets Category 6 data transfer rates
- Black or white versions available
- Press-fit lead- and solder-free assembly

#### Specifications

- Dimensions (mm) 36 x 19.2 x 16.6 approx
- Colour: White or black
- Housing: ABS UL94V-0
- Contacts: 3µ"/0.075µm gold plating on 30µ"/0.75µm palladium on nickel plated phosphor bronze

#### Specifications

Supplied in individual polythene bags then in bags of 20

ROHS Compliant

Code: SACK90bk

Features :

- RJ45 complies with FCC part 68 standard
- Jack insertion life >750 mating cycles
- Operating temperature : -40°C~+60°C

Electrical :

- Contact resistance : 20m ohm
- DC Current rating : 1.5Amps
- DC resistance : Max. 0.1 ohm
- Insulation Resistance : 500m ohm
- Dielectric withstanding voltage : 1000V

