

LOKJAC Category 6 Surface Mount Socket



LOKJAC Category 6 surface mount tool-less locking socket (SKH1LJ, SKH2LJ, SKH4LJ)

These LOKJAC surface mount sockets enable Category 6 outlets to be quickly installed without the need for additional back box or trunking. The locking facility makes them particularly suitable for locations where vibration or interference is a concern.

Features

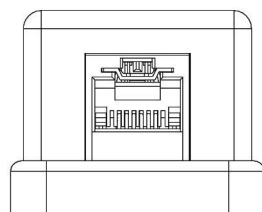
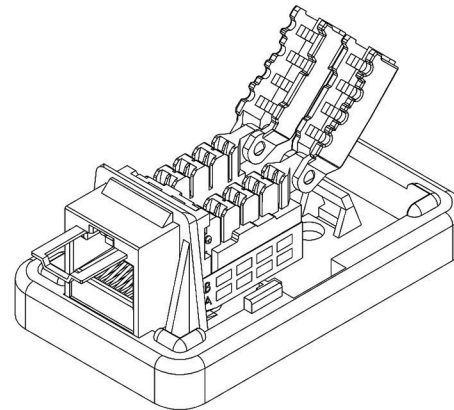
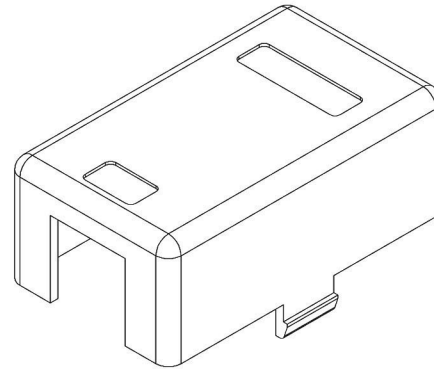
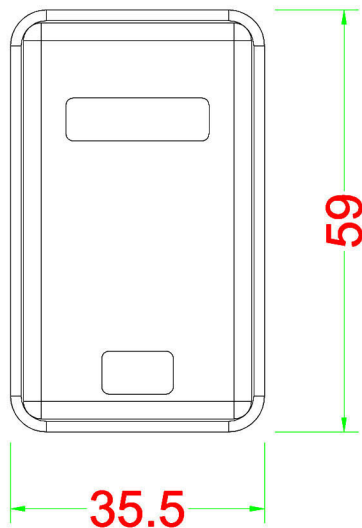
- High performance data throughput, meets Category 6 data transfer rates at permanent link level
- Utilises LOKJAC Category 6 locking keystone for secure retention of cables
<http://www.tuk.co.uk/product/lokjac-category-6-tool-less-locking-keystone/>
- High speed tool-less termination
- Cable routing 180°
- Supplied with cable ties + adhesive pads for mounting
- Requires key "TLJ" – supplied separately
- **N.B. Cannot be used without LOKJAC key (TLJ)**

Specifications

- Colour: White
- Materials:
 - Housing: Fireproof ABS UL 94V-0
 - Socket:
 - Body: ABS UL 94V-0
 - Contact: 50µ"/1.27µm gold plating
 - Lock bar: Cold rolled steel (SPCC)

Product Code	Dimensions (LxWxH)	Weight (Approximately)	Adhesive pads
SKH1LJ	59 x 35.5 x 28.5 mm	24g	45 x 25 mm
SKH2LJ	59.0 x 61.5 x 28.5 mm	40g	45 x 40 mm
SKH4LJ	84.0 x 114.0 x 29.5 mm	112g	45 x 40 mm (2)

ROHS Compliant

Code: SKH1LJ**Performance:**

Meets C6 EIA/TIA 568B Standard.

Materials:

Body : Fireproof ABS UL-94V0
Jack : 8p8c 50 μ " / 1.27 μ m gold plated
PCB : FR-4 / UL-94V0
IDC Cap : Fireproof PC
IDC Body : Fireproof ABS UL-94V0
IDC Pin : Tinned Phosphor Bronze
Lock bar : Metal (SPCC)

IDC Description : For 22-26 AWG.

Tool-less (using IDC cap)

Also suitable for 110 or Krone punch-down

Electrical Specifications:

Insulation Resistance : 500M ohms (min.)

Contact Resistance : 20m ohms (max.)

Current Rating : 1.5 Amps .

DC Resistance : 0.1 ohms (max.)

Withstanding Voltage : 1000 VAC RMS @ 60Hz / 1 min.

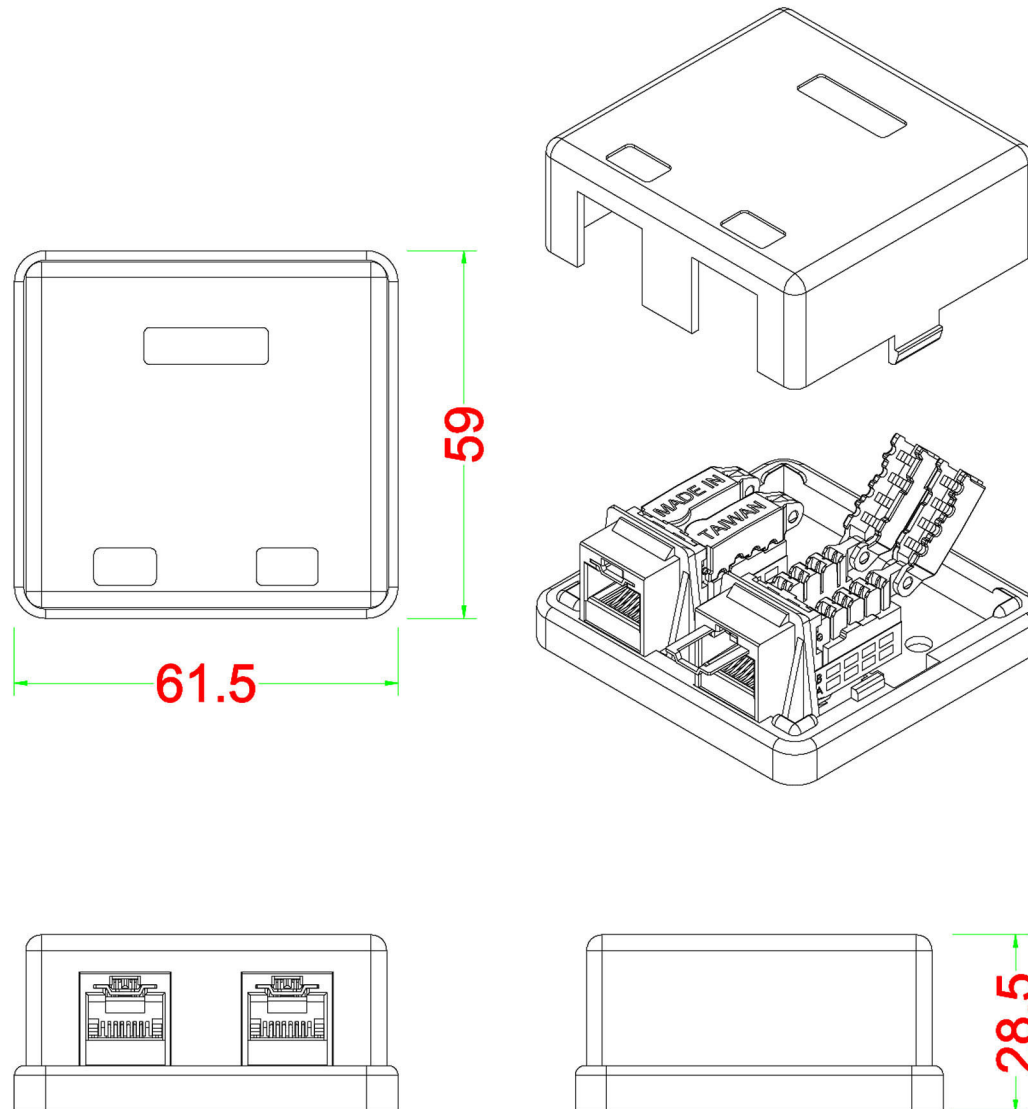
Mechanical Specifications:

IDC Punch Down Cycle : Over 150 Cycles

Jack Insertion Cycle : Over 1000 Cycles

Operation Temperature : -40 °C ~ +70 °C

ROHS Compliant

Code: SKH2LJ**Performance:**

Meets C6 EIA/TIA 568B Standard.

Materials:

Body : Fireproof ABS UL-94V0
Jack : 8p8c 50 μ "/ 1.27 μ m gold plated
PCB : FR-4 / UL-94V0
IDC Cap : Fireproof PC
IDC Body : Fireproof ABS UL-94V0
IDC Pin : Tinned Phosphor Bronze
Lock bar : Metal (SPCC)

IDC Description : For 22-26 AWG.

Tool-less (using IDC cap)

Also suitable for 110 or Krone punch-down

Electrical Specifications:

Insulation Resistance : 500M ohms (min.)

Contact Resistance : 20m ohms (max.)

Current Rating : 1.5 Amps .

DC Resistance : 0.1 ohms (max.)

Withstanding Voltage : 1000 VAC RMS @ 60Hz / 1 min.

Mechanical Specifications:

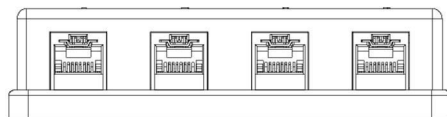
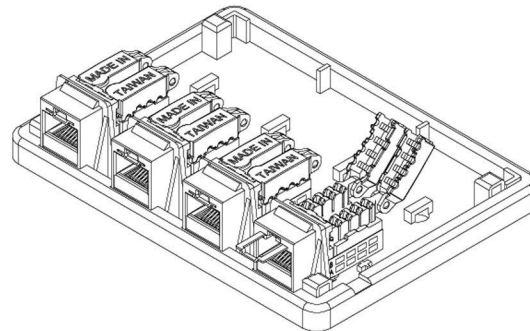
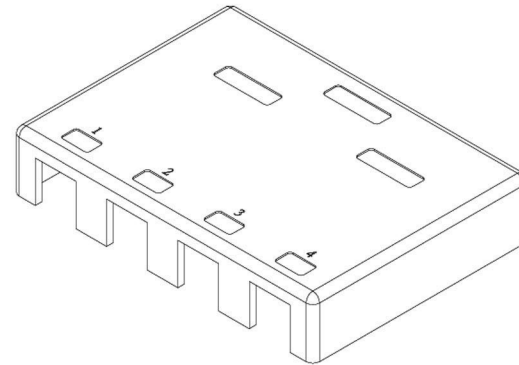
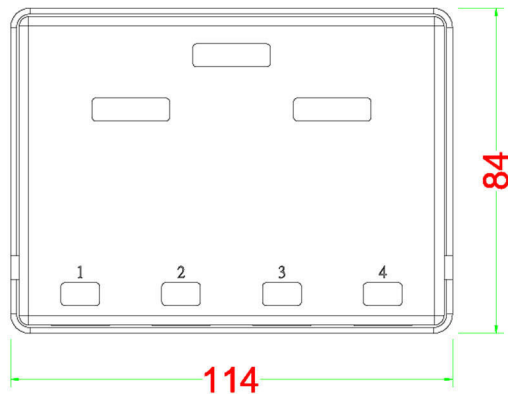
IDC Punch Down Cycle : Over 150 Cycles

Jack Insertion Cycle : Over 1000 Cycles

Operation Temperature : -40 °C ~ +70 °C

ROHS Compliant

Code: SKH4LJ



Performance:

Meets C6 EIA/TIA 568B Standard.

Materials:

Body : Fireproof ABS UL-94V0
 Jack : 8p8c 50 μ m / 1.27 μ m gold plated
 PCB : FR-4 / UL-94V0
 IDC Cap : Fireproof PC
 IDC Body : Fireproof ABS UL-94V0
 IDC Pin : Tinned Phosphor Bronze
 Lock bar : Metal (SPCC)

IDC Description : For 22-26 AWG.

Tool-less (using IDC cap)

Also suitable for 110 or Krone punch-down

Electrical Specifications:

Insulation Resistance : 500M ohms (min.)
 Contact Resistance : 20m ohms (max.)
 Current Rating : 1.5 Amps .
 DC Resistance : 0.1 ohms (max.)
 Withstanding Voltage : 1000 VAC RMS @ 60Hz / 1 min.

Mechanical Specifications:

IDC Punch Down Cycle : Over 150 Cycles
 Jack Insertion Cycle : Over 1000 Cycles

Operation Temperature : -40 °C ~ +70 °C