

## 3.5mm Coupler



### **3.5mm chassis mount coupler for 2/3/4 pole connectors, (X3.5C)**

These connectors are used to extend an audio cable such as those used for connecting headsets, mobile phones, media players, earphones etc.

#### **Features**

- Unique flexible patented design which allows use with 3.5mm connectors having any of 2 poles (mono), 2 poles (stereo) or 4 poles (e.g, Smartphone)
- Available as part of our innovative Keystone, Panel Mount and D UNIVERSAL ranges.  
<http://www.tuk.co.uk/product/3-5mm-keystone-coupler/>

#### **Specifications**

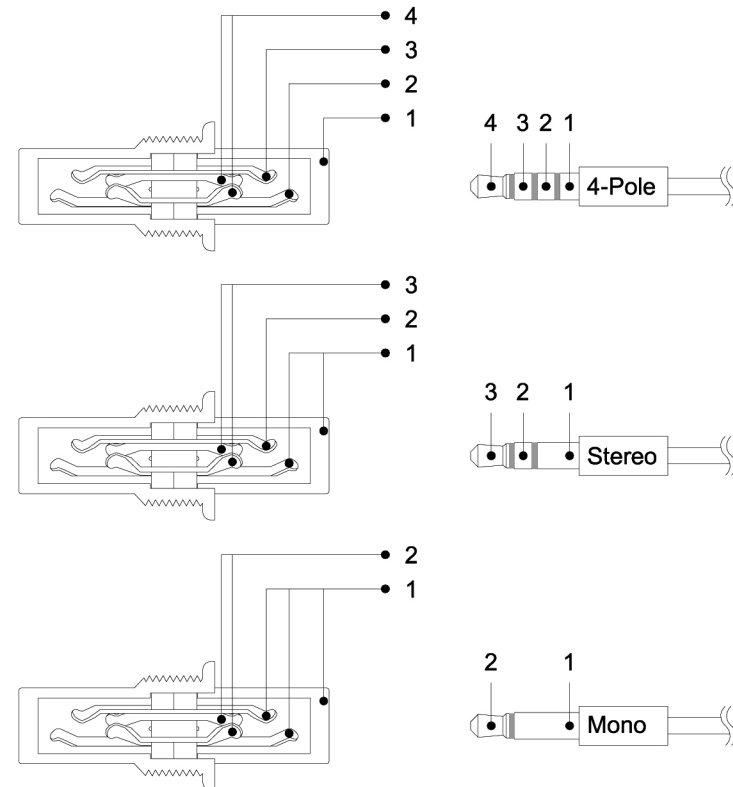
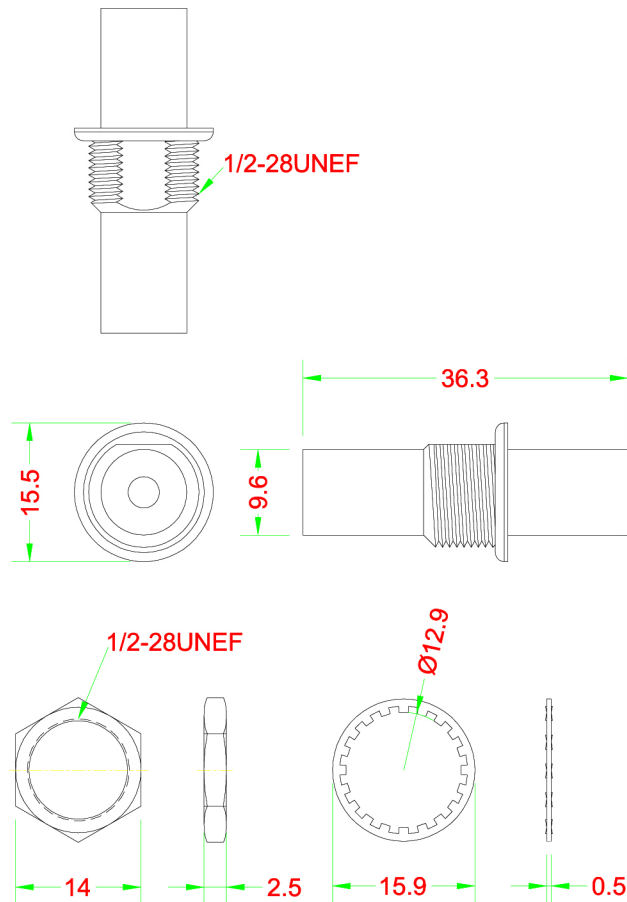
- Weight: 14g approx.
- Colour: Gold
- Materials:
  - Body: Gold plated brass
  - Nut: Gold plated brass
  - Washer: Gold plated steel
- Dimensions:
  - Length: 36.3mm
  - Diameter: 15.5mm
- Packaging: in individual polythene bags then in packs of 20

ROHS Compliant (Patented)

**Code: X3.5C**

3.5mm 4-Pole Coupler

Suitable for Mono / Stereo / 4-Pole Male Connector



**Material**  
 Body : Gold plated brass  
 Nut : Gold plated brass  
 Washer : Gold plated steel