

2 Way Gel Crimp Connectors



Gel crimps are essential connectivity items for low voltage cabling installers, either for internal or external use. (XJYAq#100)

Features

- Manufactured with a high quality waterproof gel inside the crimp which provides a secure airtight and waterproof seal.
- No requirement to strip the insulation before crimping
- Suitable for copper conductors 0.4-0.9mm (19-26 AWG). (This UY2 type design accepts a wider range of cores than the UY type design).
- Ideal for low voltage installations such as LED lighting and telecoms
- The installer must simply insert the telephone wires into the holes located in the crimp. Compressing firmly with the relevant crimp tool makes the IDC connection and creates the required waterproof seal.
- Transparent housing allows for visual inspection of the crimped splice.
- The high performance polypropylene material used for the housing offers good chemical resistance and has high tensile strength in a range of high and low working temperatures.
- Suitable for use with voltage up to 75V. Originally designed for low current (up to 90mA) but successfully tested up to 1A.

NOTE: For successful termination we recommend our tool code TXJy

TUK Ltd, Unit 4, Wimbledon Stadium Business Centre, Riverside Road, London SW17 0BA

Specifications

- Weight: 0.6g (per piece)/ 70g (carton of 100)
- Dimensions: 15.2x9.7x8.3mm (per piece)/ 60x60x60mm (carton of 100)
- Colour: orange-capped transparent housing
- Material:
 - Housing: polypropylene (PP)
 - Contacts: tin-plated phosphor bronze

Packaging: Supplied in packs of 100 then outer cartons of 100 packs

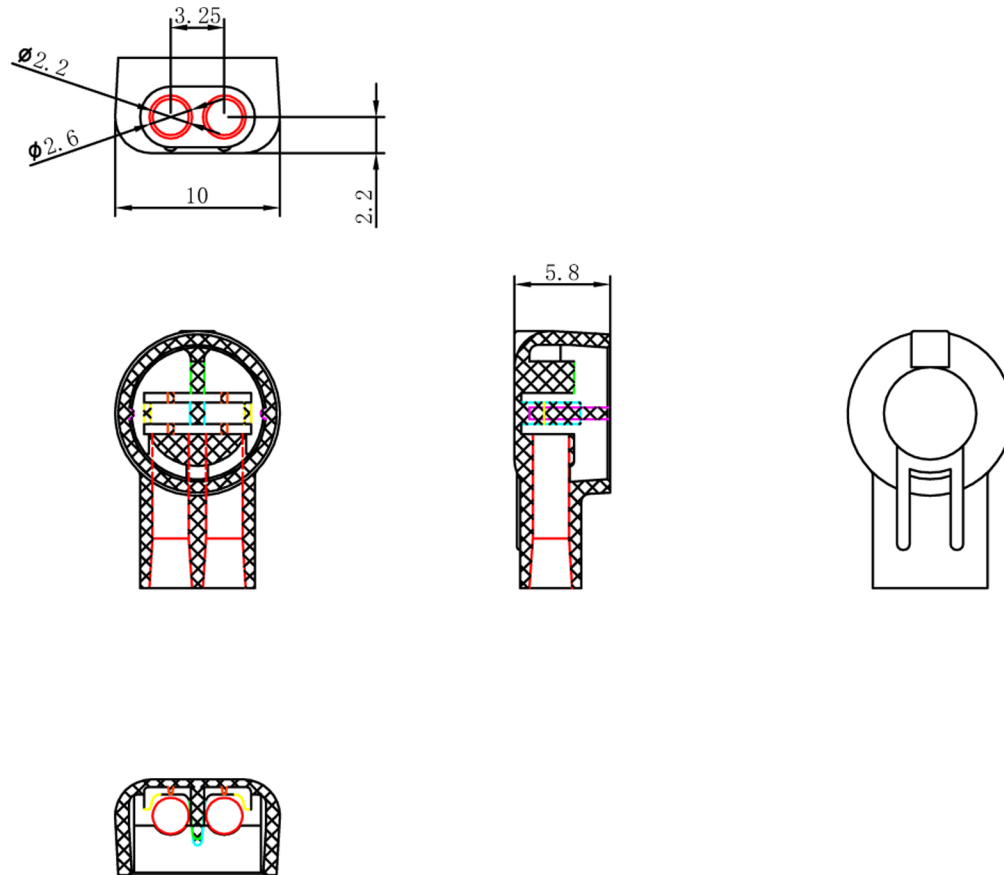
EAN: 5055386507815

Commodity Code: 85369010

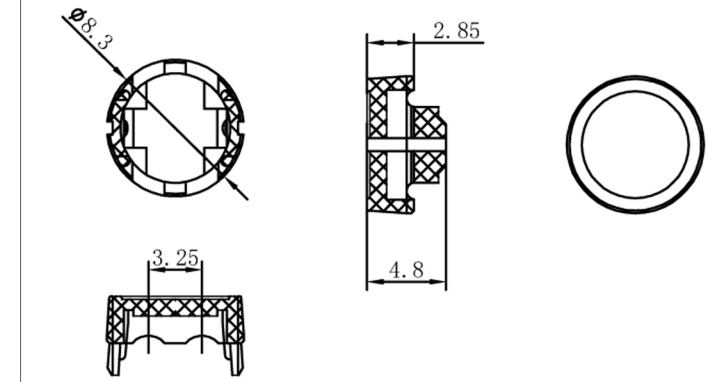
ROHS Compliant

Code: XJYAq#100

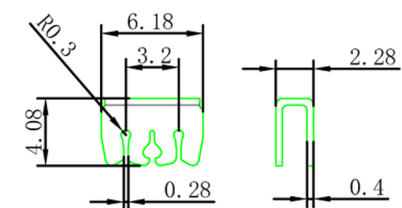
HOUSING



CAP



CONTACT



Materials:

Housing: Polypropylene (PP)

Contact: Tin-plated phosphor bronze