

Other Modular Plugs



We can produce for our customers almost any type of modular / RJ type plug. We offer several niche premium or standard quality plugs from stock (see details below) and can also cater for special designs or coloured plugs to customer specification.

Stocked items - Product name and code:

PCF64cab	Long Bodied flat entry plug	6p4c
PCJmmj	MMJ Flat entry plug	6p6c
PCU88K	Keyed flat entry plug	8p8c
P88C5	Cat 5e compliant 2-piece plug,	8p8c
PGW1010	Oval entry plug	10p10c

Features:

- OEM available for rebranding or re-design
- Suitable for flat or oval cable
- UL listed
- Suitable for solid and stranded cordage
- Available shielded or unshielded
- Standard, short and long latch are available

Specifications:

- Net weight (including primary packaging):

PCF64cab 54g
PCJmmj 42g
PCU88K 84g
P88C5 154g
PGW1010 84g

- Dimensions:

PCF64cab 140 x 70 x 20 mm
PCJmmj 90 x 70 x 1.5 mm
PCU88K 110 x 90 x 25 mm
P88C5 160 x 110 x 30 mm
PGW1010 130 x 100 x 20 mm

- Colour: Transparent
- Housing: Polycarbonate, UL94V
- Contacts: Gold plated over 100µ " / 2.54µm Nickel plate over Phosphor Bronze
- Shield: Nickel plated brass

Packaging:

PCF64cab Long Bodied flat entry plug, bagged in 50s

PCJmmj 6p6c MMJ flat entry plug, bagged in 50s

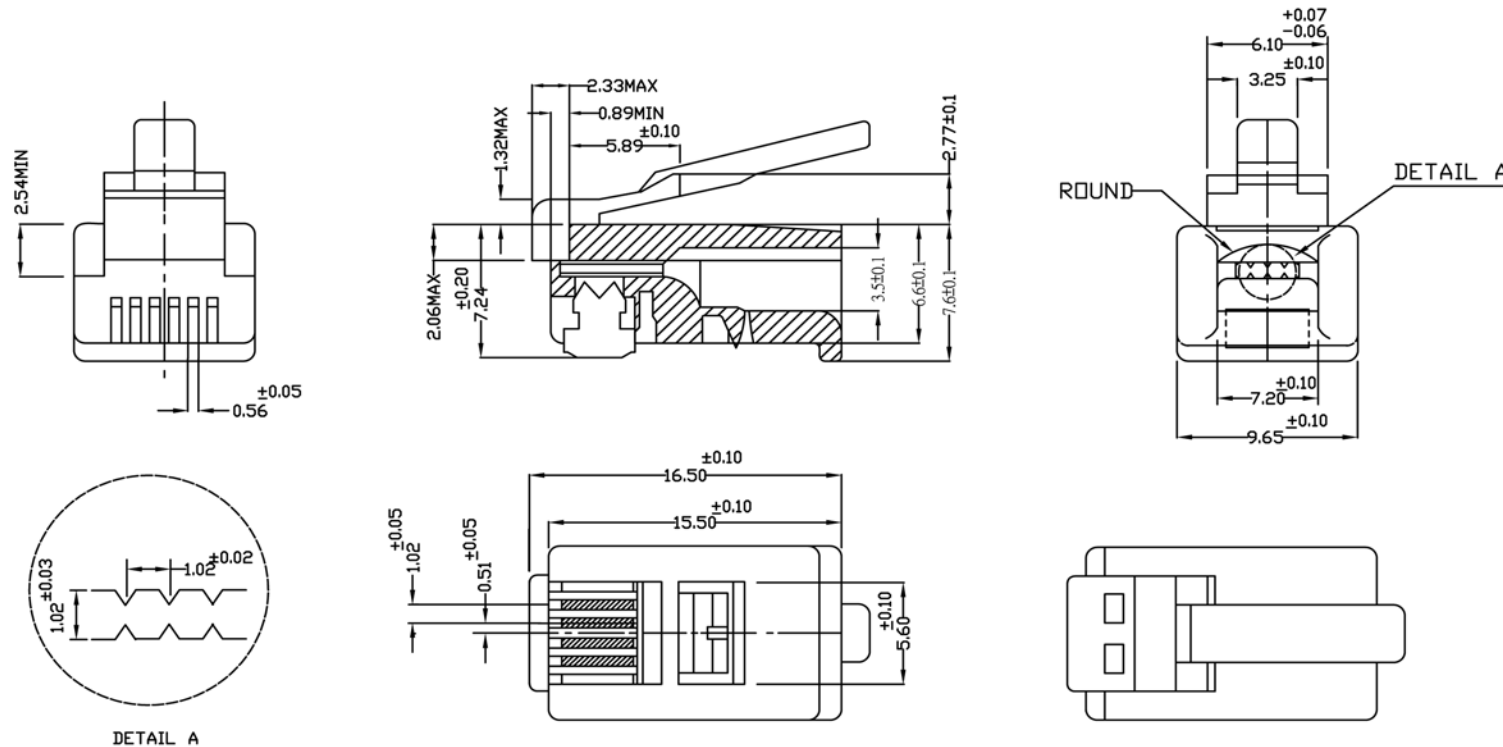
PCU88k 8p8c Keyed flat entry plug, bagged in 50s

P88C5 Cat 5e compliant 2 piece plug, bagged in 100s

PGW1010 10p10c Oval entry plug, bagged in 50s

Commodity code: 85444920

Country of Origin: China

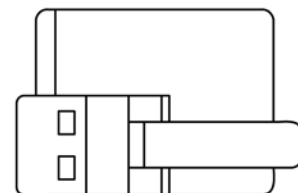
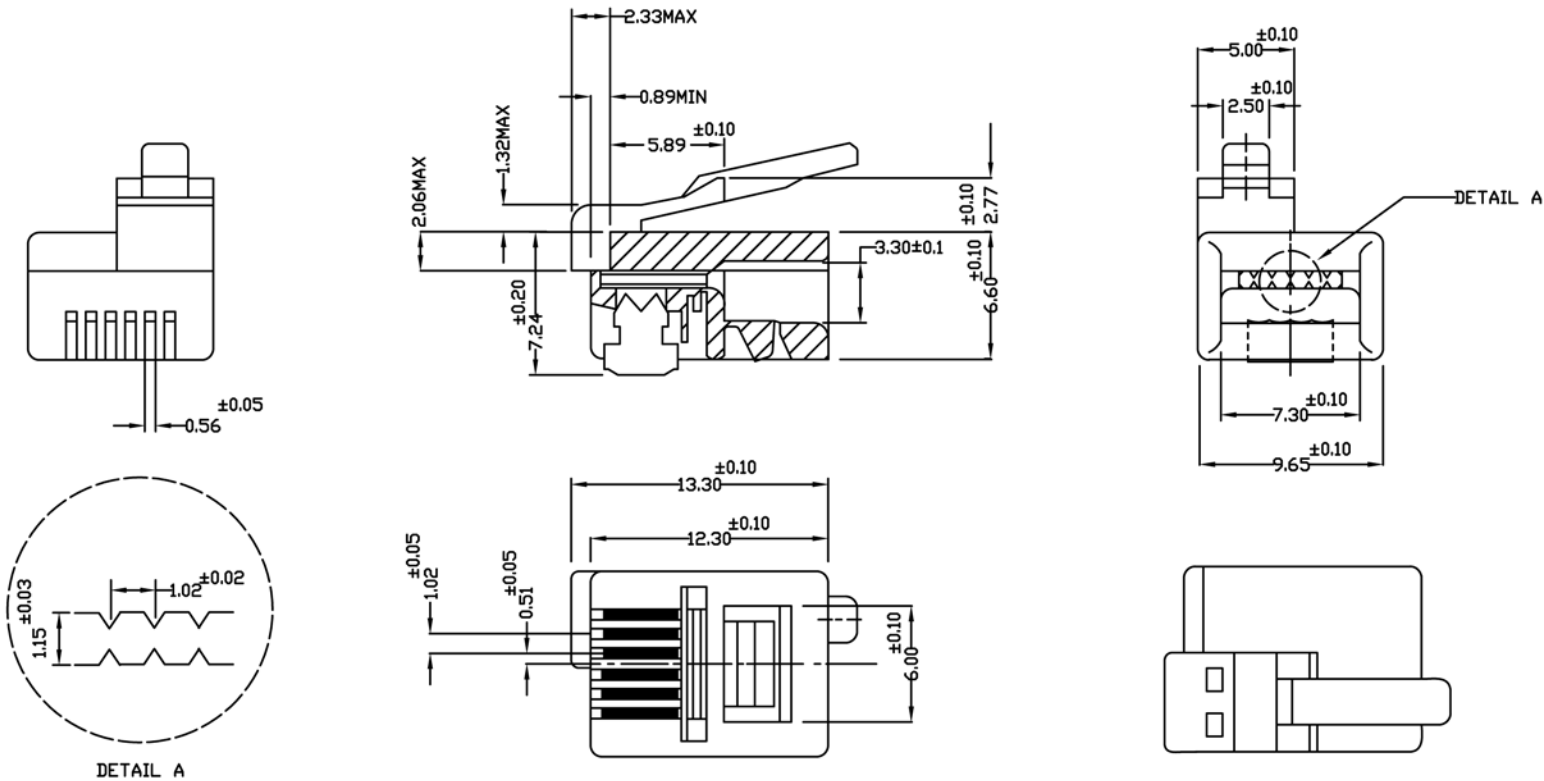


Long body 6p4c - round hole - empty mark - There is a raised spot on the primary lock

②	Contact pin	Phosphorous Bronze	Gold plating	4
①	Housing	PC	6P4C Round	1
No	Name	Material	Specification	Qty

ROHS Compliant

Code: PCJmmj



6P6C 3.3

SPECIFICATIONS:

MATERIAL

HOUSING:POLYCARBONATE(PC),
CONTACT:PHOSPHOR BRONZE
FINE GOLD PLATED OVER NICKEL,

MECHANICAL

CABLE TO PLUG TENSILE STRENGTH:
20IBS MINIMUM,
DURABILITY:200 MATING CYCLES MIN,

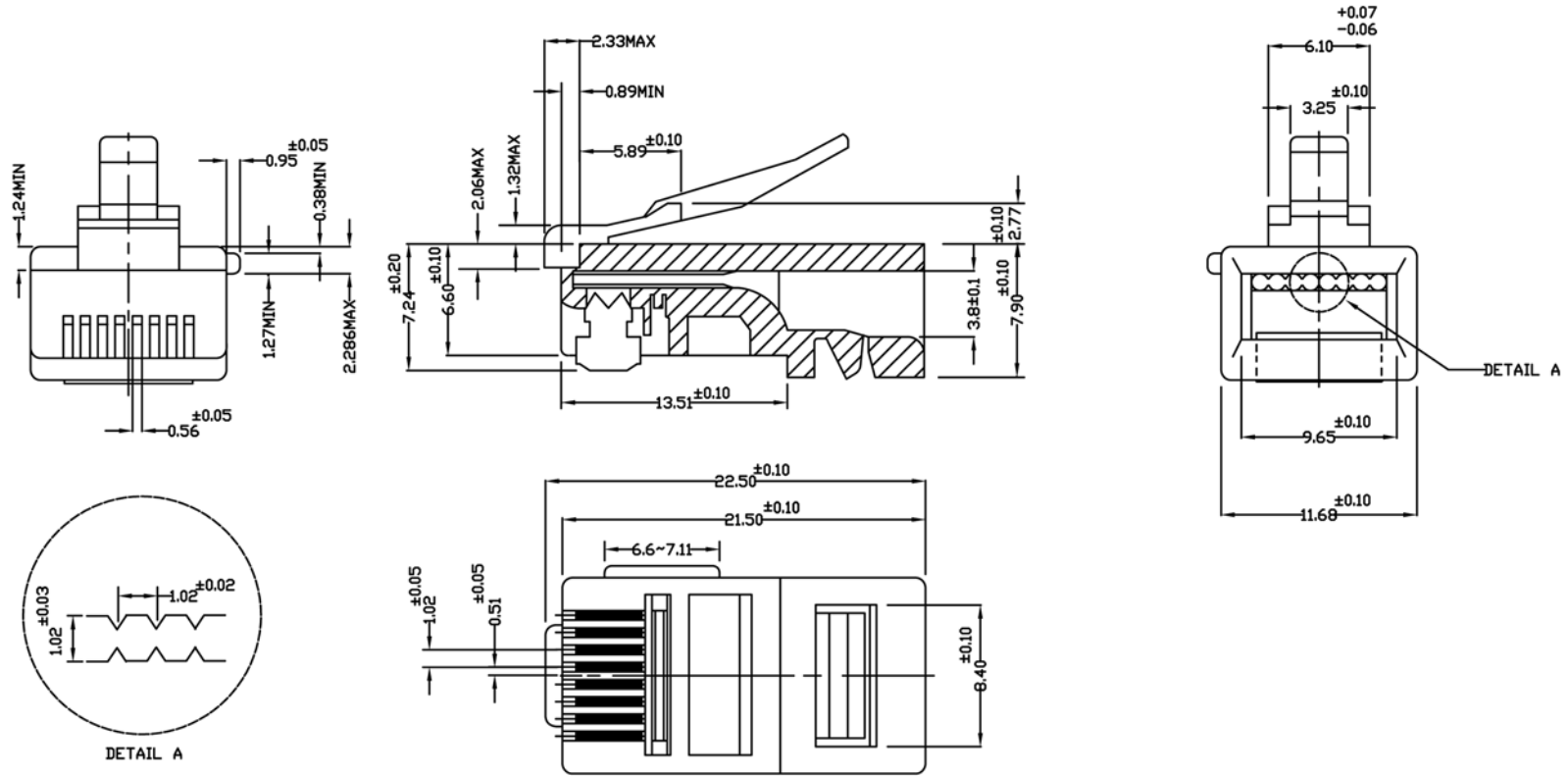
ELECTRICAL

UL APPLICATIONS:250 VOLTS AC
MAX,AT 2 AMPS,
DIELECTRIC WITHSTANDING VOLTAGE:
500 VOLTS AC,
INSULATION RESISTANCE:500 MEGOHMS,
TERMINATION RESISTANCE:35 MILLIOHMS
MAX,AFTER ENVIRONMENTAL TESTING,

②	Contact pin	Phosphorous Bronze	Gold plating	6	GP00XXA
①	Housing	PC	6P 3.3F BN	1	PH66X3N0BXR0
No	Name	Material	Specification	Qty	Remark

ROHS Compliant

Code: PCU88K



SPECIFICATIONS:

MATERIAL

HOUSING: POLYCARBONATE (PC),
CONTACT: PHOSPHOR BRONZE
FINE GOLD PLATED OVER NICKEL,

MECHANICAL

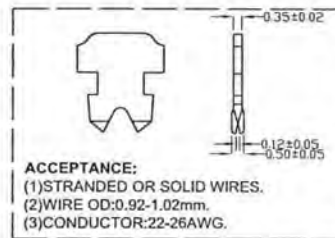
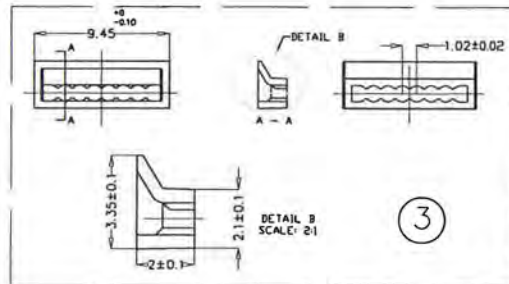
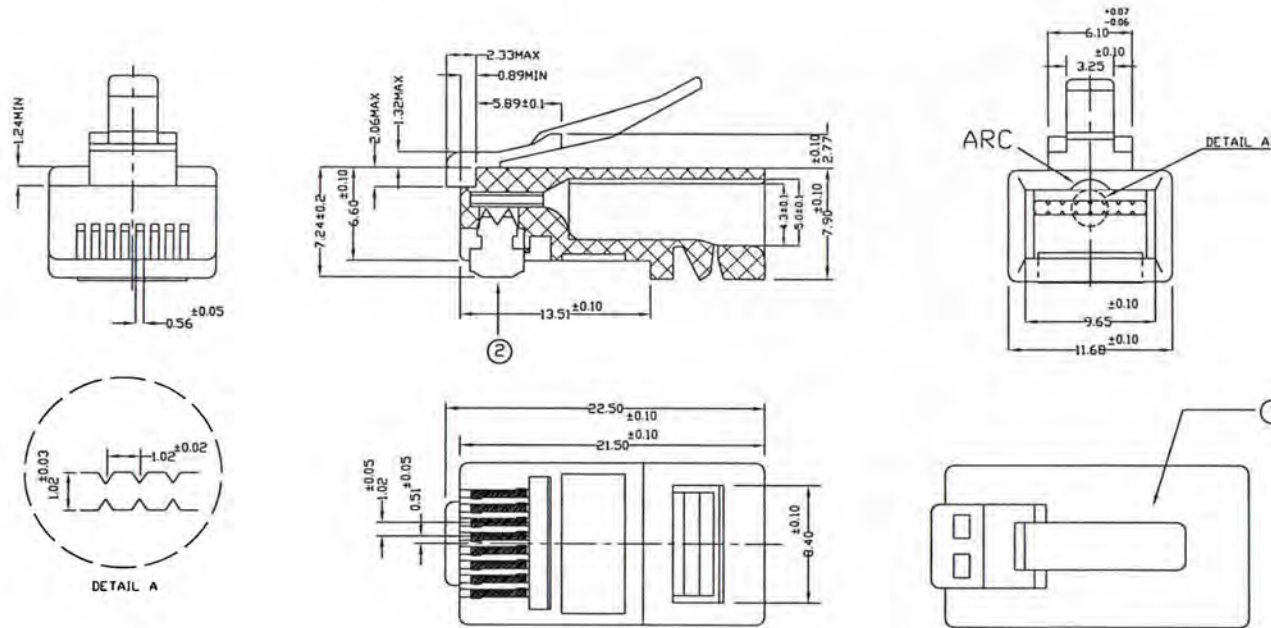
CABLE TO PLUG TENSILE STRENGTH:
20lbs MINIMUM,
DURABILITY: 200 MATING CYCLES MIN,

ELECTRICAL

UL APPLICATIONS: 250 VOLTS AC
MAX, AT 2 AMPS,
DIELECTRIC WITHSTANDING VOLTAGE:
500 VOLTS AC,
INSULATION RESISTANCE: 500 MEGOHMS,
TERMINATION RESISTANCE: 35 MILLIOHMS
MAX, AFTER ENVIRONMENTAL TESTING,

ROHS Compliant

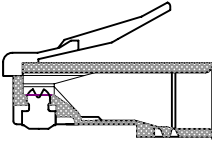
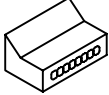
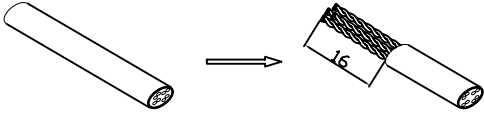
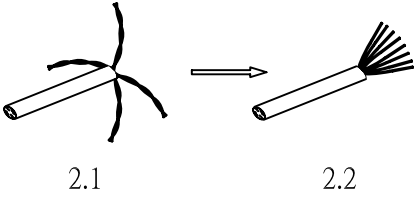
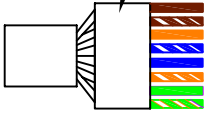
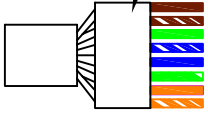
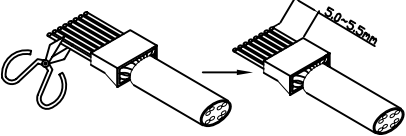
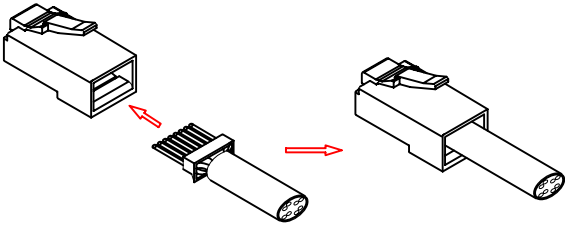
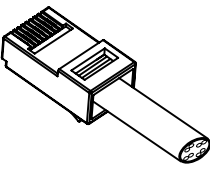
Code: P88C5



③	Insert	PC	8P8C	1	PG88X2000XY0-1-IH3
②	Contact Pin	PHOSPHOR CUPPER	Big Angle	8	GP02XXX
①	Housing	PC	8P8C-5.0 "BN" Marking	1	PH88Xf00BX00-10
NO.	NAME	MATERIAL	SPECIFICATION	QTY	REMARK

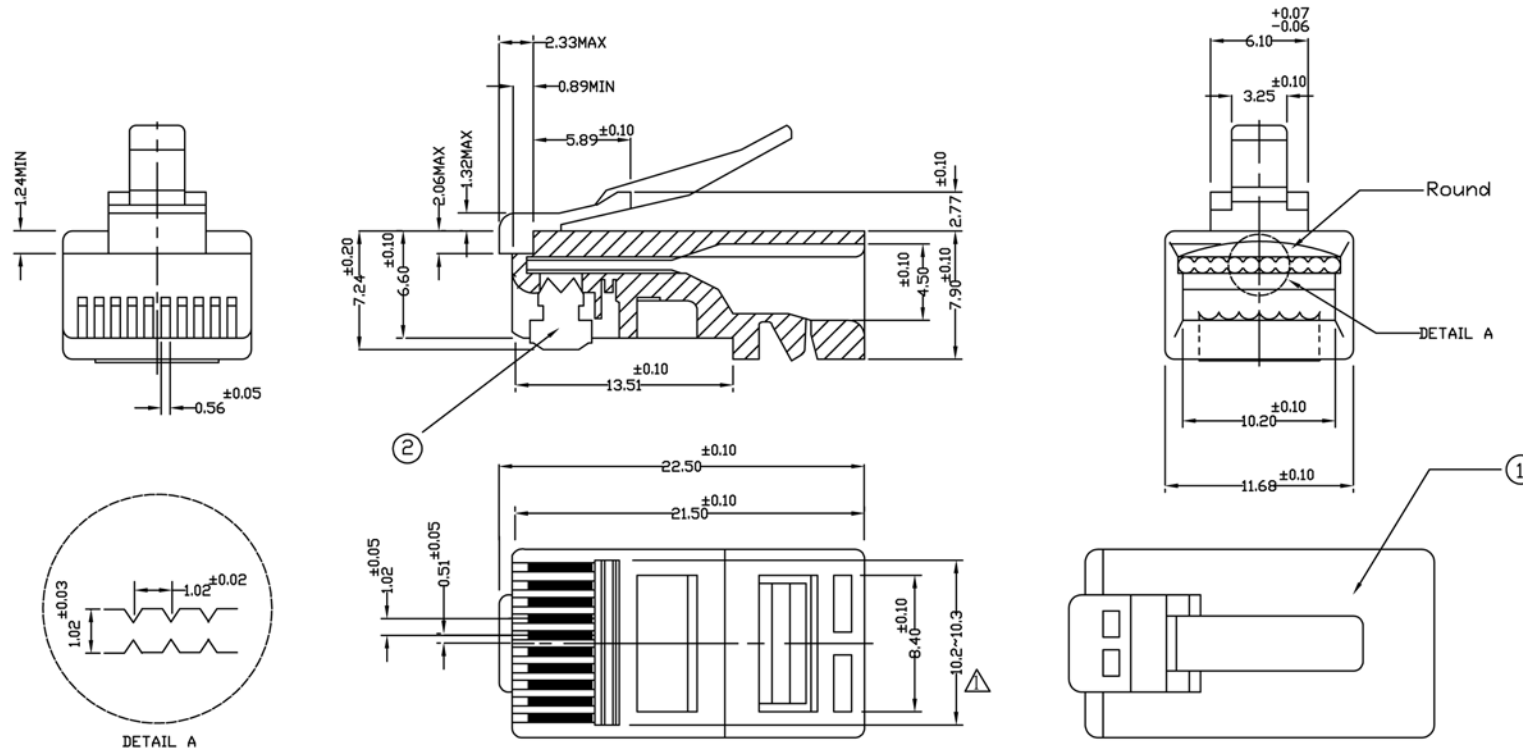
ASSEMBLY INSTRUCTION


FOR 4 P/N.P88C5

<p>PLUG MAIN BODY</p> 	<p>INSERT</p> 	
<p>STEPS</p>	<p>FIGURES</p>	<p>IMPORTANT POINTS</p>
<p>1.STRIP CABLE JACKET</p>	<p>FIG(1)</p> 	<p>STRIP OUT 16mm CABLE JACKET AS PER FIG(1)</p>
<p>2. SEPARATE PAIRS</p>	<p>FIG(2)</p> 	<p>2.1 SEPARATE TWISTED PAIRS 2.2. UNTWIST & STRAIGHTEN CORES.</p>
<p>3. UNTWIST AND STRAIGHTEN WIRES</p>	<p>FIG(3)</p> <div style="display: flex; justify-content: space-around; align-items: center;"> <div style="text-align: center;"> <p>T568A WIRING</p>  <p>T568A BR W/BR OR W/BL BL W/OR GR W/GR</p> </div> <p>OR</p> <div style="text-align: center;"> <p>T568B WIRING</p>  <p>T568B BR W/BR GR W/BL BL W/GR OR W/OR</p> </div> </div> <p>* ARRANGE CORES IN ORDER AS PER WIRING METHOD T568A OR T568B. * INSERT CORES INTO THE "INSERT".</p>	
<p>4. CUT OFF EXCESS WIRES</p>	<p>FIG(4)</p> 	<p>LEAVE 5.0~5.5 mm WIRES PROTRUDING OUT OF THE INSERT. CUT OFF EXCESS LENGTH OF THE WIRES.</p>
<p>5. PUSH INTO PLUG MAIN BODY</p>	<p>FIG(5)</p> 	<p>PUT THE ASSEMBLY INTO THE PLUG AND PUSH THE ASSEMBLY TO THE VERY END OF THE PLUG</p>
<p>6. CRIMPING OF THE PLUG</p>	<p>FIG(6)</p> 	<p>CRIMPING OF THE PLUG ASSEMBLY COMPLETED</p>

ROHS Compliant

Code: PGW1010



②	Contact pin	Phosphorous Bronze	Gold plating	10	GP00XXA
①	Plug	PC	10P Round	1	PH00X100BXC0
No	Name	Material	Specification	Qty	Drawing
APPD.			P/N.	PGW1010	
CHKD.			FILE		
DR.			TITLE	10P10C Round	
PGW1010 -10p10c Oval entry plug				SCALE	/
TUK Ltd				UNIT	MM
				SIZE	A4
				REV.	A1