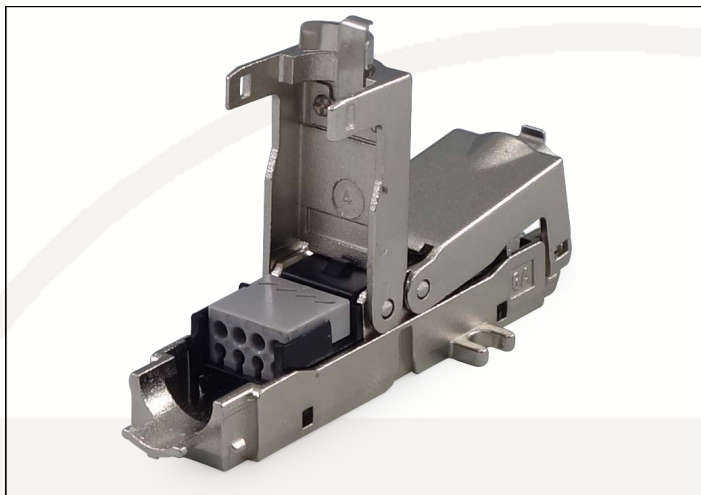


## **Category 6A Shielded Inline Connector**



### **Cat 6A Shielded Inline Connector (SG782b)**

This high quality connector offers a compact and flexible backwards-compatible solution for the extension, connection, relocation or repair of copper data cables. Although designed for use with solid core shielded Category 6A or 7 cable, it is suitable for a wide range of cable outer diameter and core sizes.

#### **Features**

- Full compliance with Category 6A standard requirements for a consolidation point; backwards compatible for Cat 5e or Cat 6
- Quick, easy and reliable tool-less termination
- High performance data throughput, easily meets Category 6A data transfer rates at permanent link level
- Robust die cast outer casing with screw fixing points
- Suitable for cores 22-26 AWG/0.4 – 0.64mm and cable outer diameter 6-9mm
- Suitable for re-use/re-termination if required
- A 2U 24-port empty panel is available for rack mount application – please ask for details

#### **Specifications**

- Net weight: 38g approx
- Dimensions: 107 x 60 x 16mm (in primary packing)
- Colour: Silver

#### **Materials**

- Housing – nickel-plated zinc alloy with earthing plate: SUS304
- IDC Housing: PC FR/PC VO
- IDC Terminals: tin plated phosphor bronze

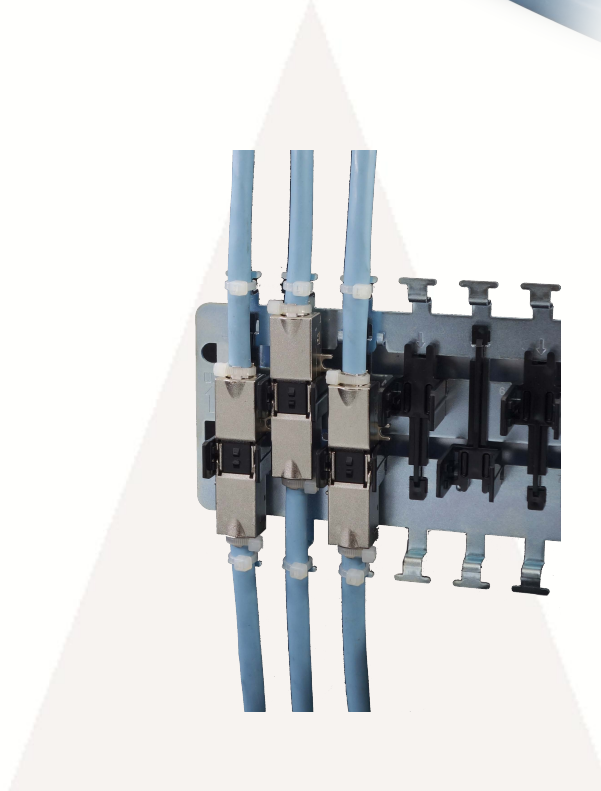
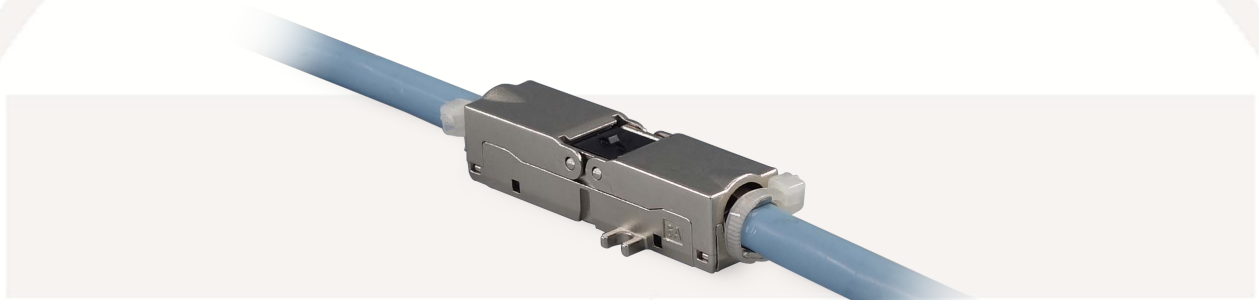
**Packaging:** Supplied in an individual poly bag with assembly instructions then in bags of 20

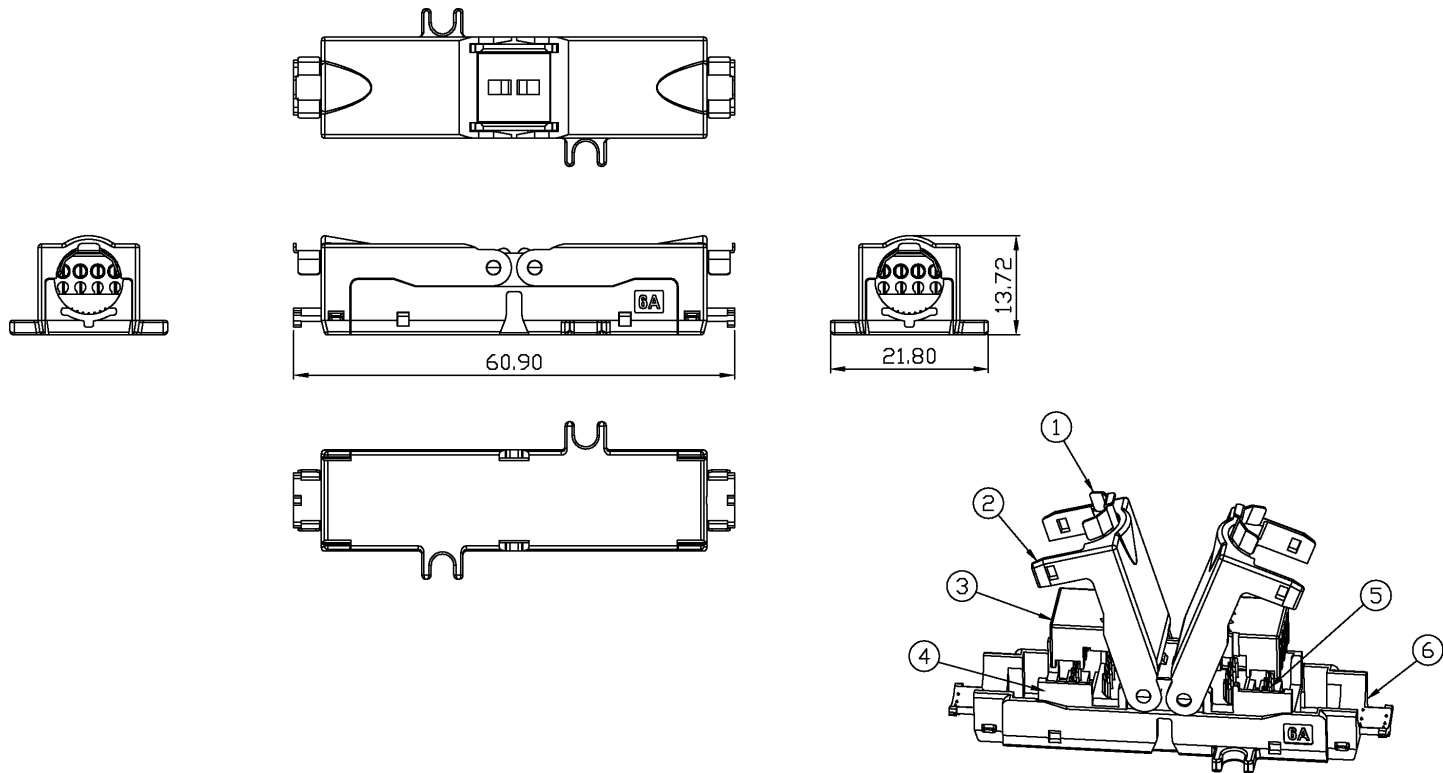
**Commodity code:** 85444920

**County of origin:** China

**EAN Number:** PGSbt - 5055386509109

**Illustrative images**



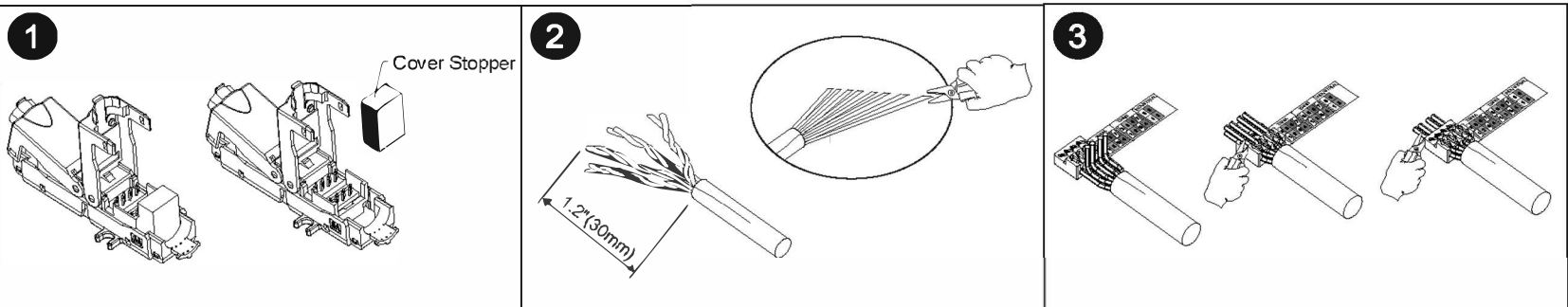


- Current rating : 1.5A
- Dielectric withstanding voltage: 1000V AC
- Insulation resistance : 500M  $\Omega$  MIN
- Contact resistance : 20m  $\Omega$  MAX
- Durability:100 mechanical cycles
- Wiring properties: 26 ~ 22 AWG
- Supporting cable diameter: 6 ~ 9mm

#### MATERIAL

- (1) Earth point:SUS304
- (2) Housing Lid: Zinc-alloy, Nickel Plated
- (3) IDC Housing cover: PC FR
- (4) IDC Housing: PC VO
- (5) IDC Terminals: Phosphor bronze, Tin Plated
- (6) Housing Base: Zinc-alloy, Nickel Plated

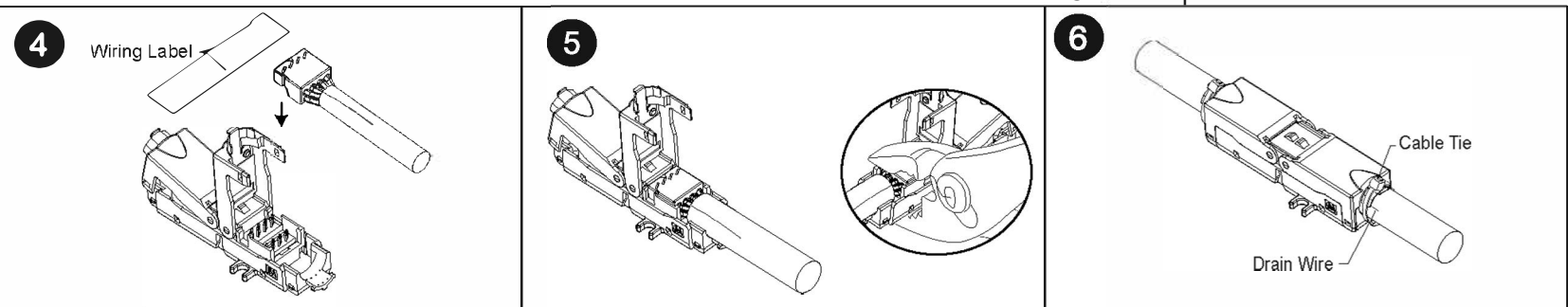
## Assembly Instructions - Category 6A Shielded Inline Connector



Remove the stopper before installation.

Strip off 1.2"/30mm of cable jacket and fold back braid and earth wire. Remove foil from each pair.

Fan out all four twisted pairs, following the colour coding label and allocate each conductor into proper slot on wiring cap. Cut off surplus conductors.

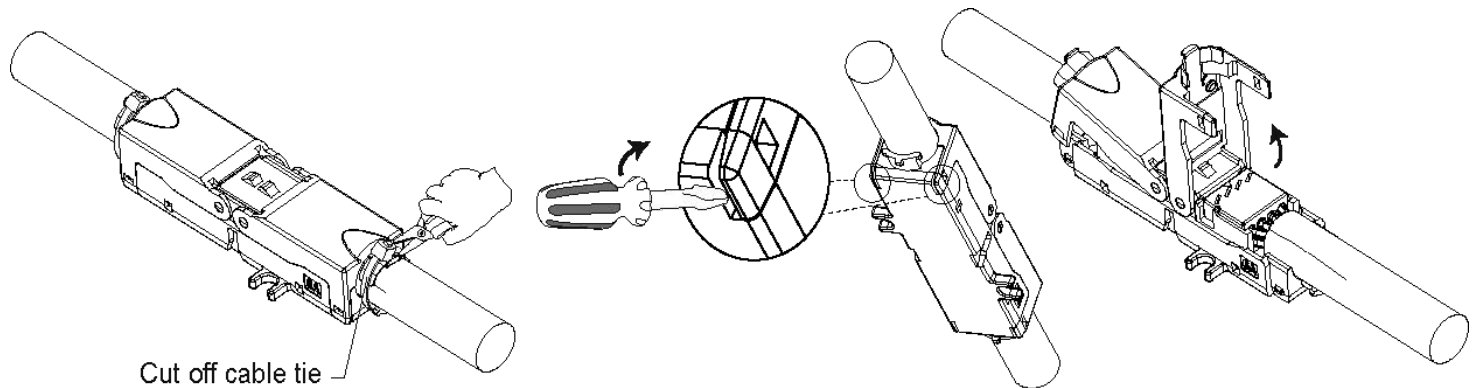


Remove the wiring label before placing wiring cap onto housing.

Place the wiring cap onto housing; use plier to clamp wiring cap until it completely snaps-in to make the connection.

Close housing; make sure the drain wire is in proper contact with earth clip. Fasten supplied cable tie to secure earth contact.

## Disassembly Instructions - Category 6A Shielded Inline Connector



### Unload the cable

Cut off cable tie. Using flat screw driver, pry gently on both sides of housing to release cover and open it.