

8 Port DIN Rail Mountable Patch Panel



8 Port DIN Rail Mountable Patch Panel - unloaded (XDIN8)

This housing accommodates up to 8 shielded or unshielded keystone connectors for a high density 'patch panel' installation on a DIN rail. Suitable for use with fibre or copper connectivity, it is easy to assemble and install.

Features

- 8 port keystone housing with port identification
- Adjustable angleable ports to allow for appropriate bend radius
- Designed for easy mounting on standard (35mm) DIN rail; also suitable for screw mounting on a wall
- Accommodates keystones up to 17.5mm wide
- Suitable for use with UTP or FTP installations – earth lead provided
- Fire retardant to UL94 V2 standard

Specifications

- Net weight: 270g approx
- Dimensions: 80 x 63 x 240mm (in primary packing)
- Colour: black and silver

Materials

- polycarbonate (fire retardant to UL94 V2 standard) and bright finish cold rolled steel (SPCC)

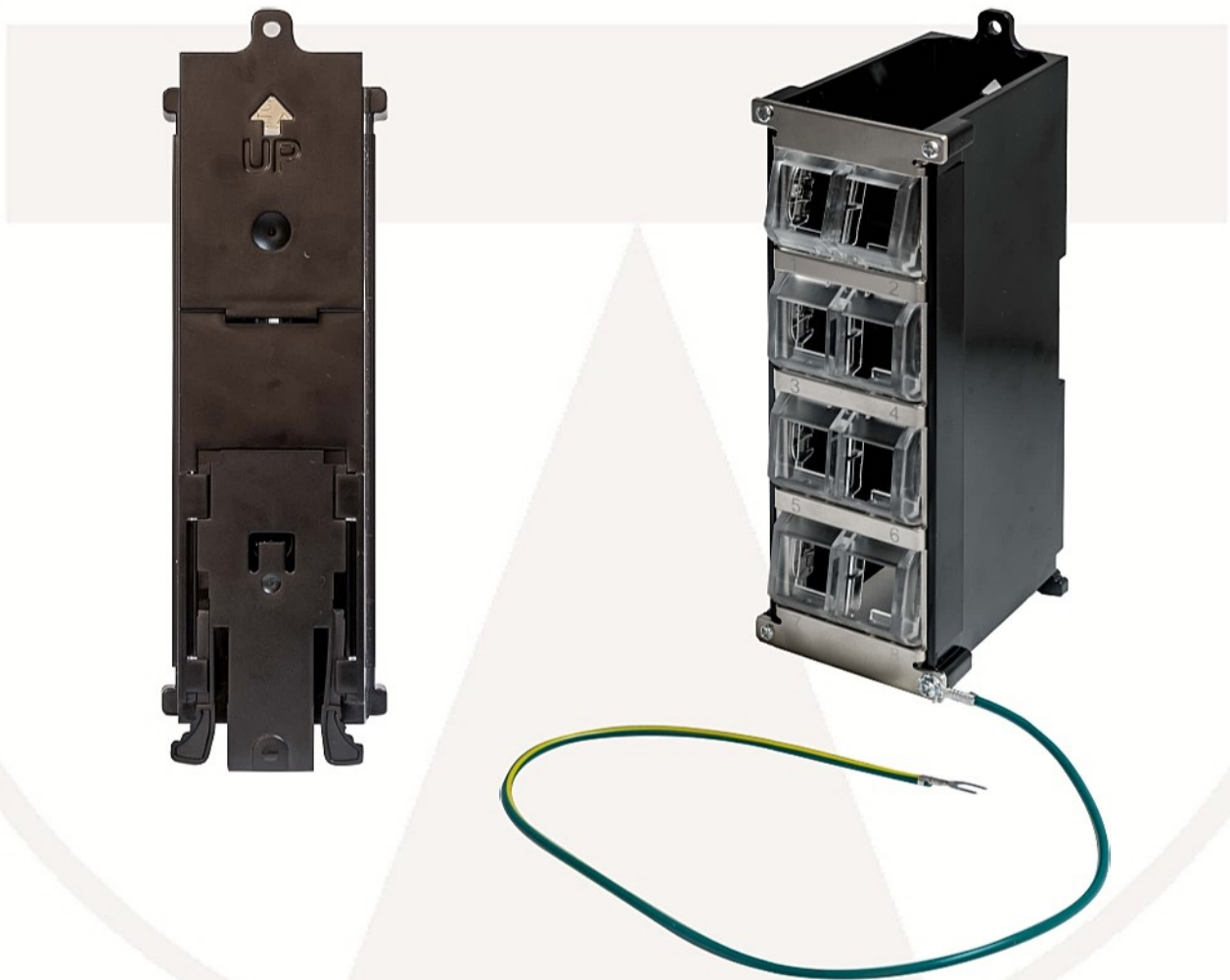
Packaging: Supplied in an individual carton

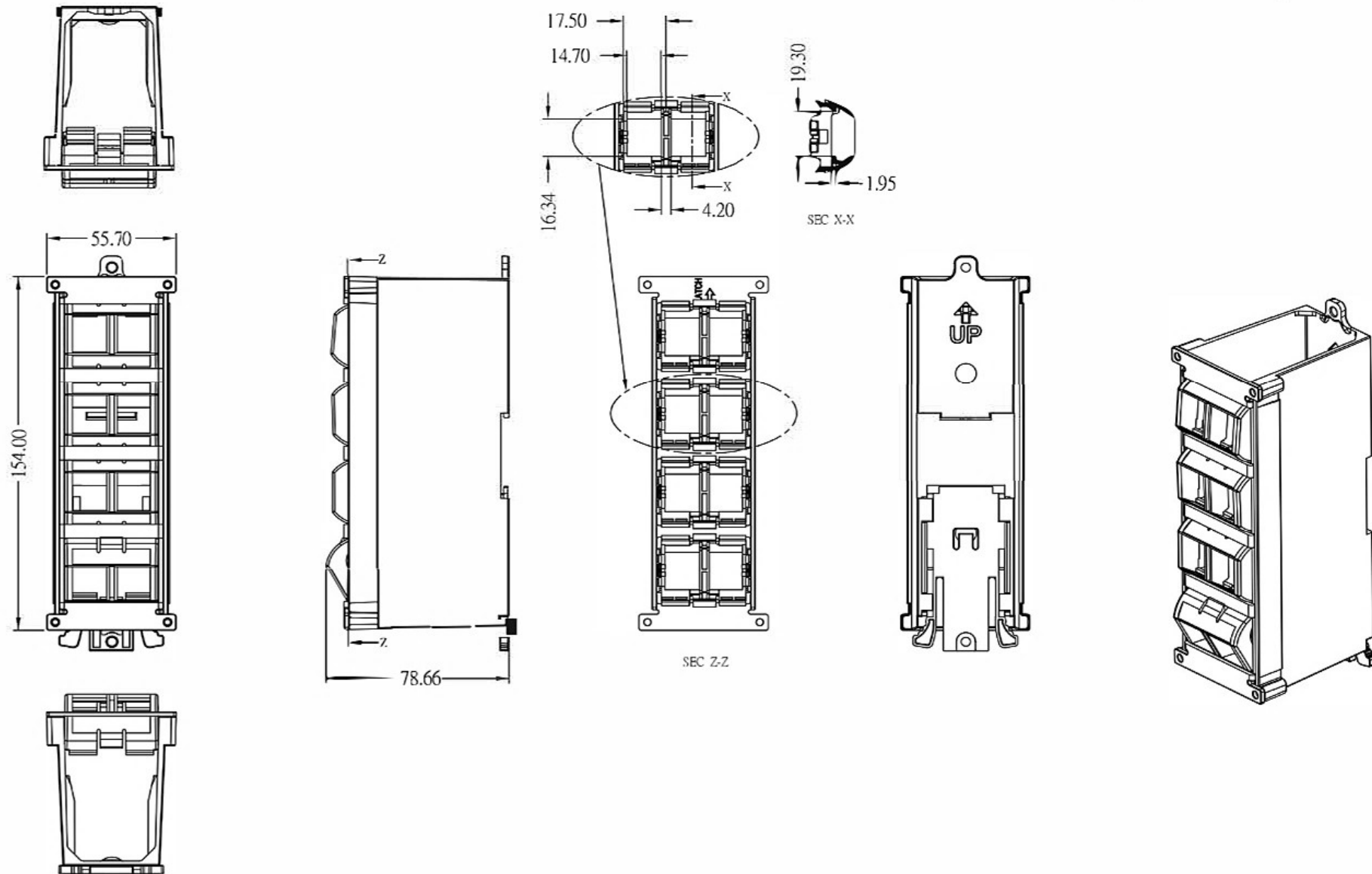
Commodity code: 85177090

County of origin: China

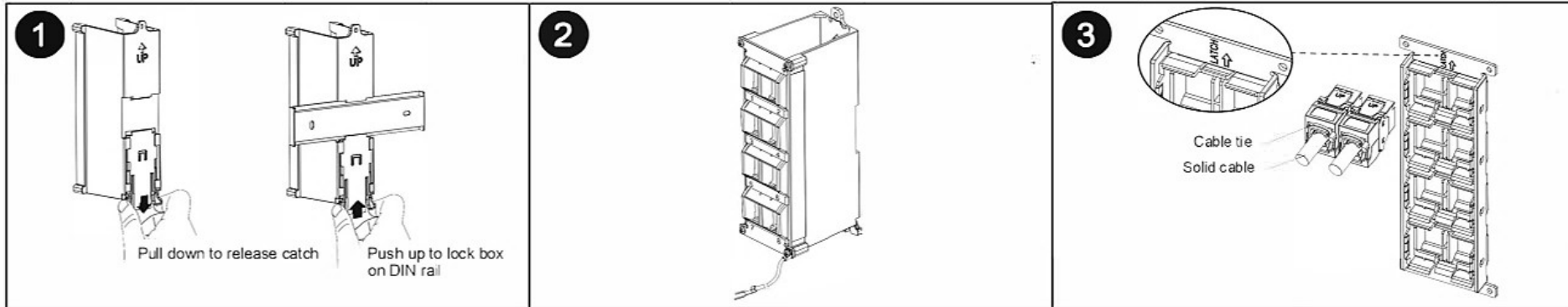
EAN Number: XDIN8 - 5055386509277

Illustrative images





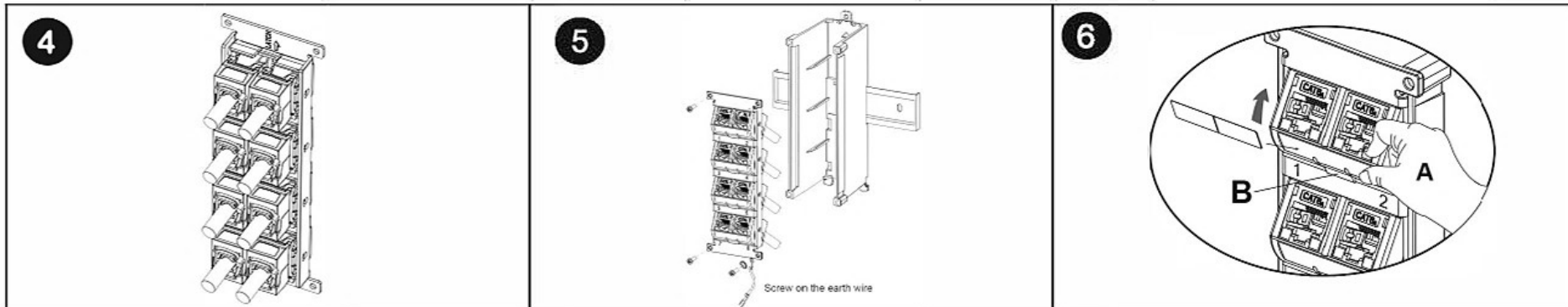
DIN Rail Mountable Patch Panel Instructions



Mount the Box onto the DIN Rail

Finish cable termination on keystone modules.

Follow the "LATCH" marking to identify the module direction. Mount the assembled keystones from back of panel.



Snap the keystones into the panel.

Screw the panel with mounted keystones onto the housing. If appropriate, attach earth lead

Rotatable module options:

- A. Positioning - Rotate the bezel to desired direction until "CLICK" sound.
- B. Re-direction - Press the latch on bezel to release bezel and change the direction.