

Rear Shielding Crimp Tool



Rear Shielding Crimp Tool (T5042)

This specialised tool is designed to close rear shielding clamps on plugs for different sizes of cable, achieving a uniform, professional appearance when terminating multiple plugs.

Features:

- 2 sizes of clamps for 6mm and 8.5mm OD cable respectively.
- Sturdy construction enabling which will stand up to repeated use.
- Locking handles for easy storage
- Designed to work with our codes PGSPDY3, [PGSXL](#) and [PGScbXL](#)
- Click the link [here](#) for a video of T5042 being used

Specifications:

- Net weight (incl. primary packaging): 295g
- Dimensions (incl. primary packaging): 185 x 65 x 30 mm
- Colour: Black handle with silver clamps
- Materials:
 - Handle cover: PVC
 - Crimping nest: SMF5030 Hard Steel
 - Body & Handle: Middle Carbon Steel

Packaging: Packaged in individual cartons.

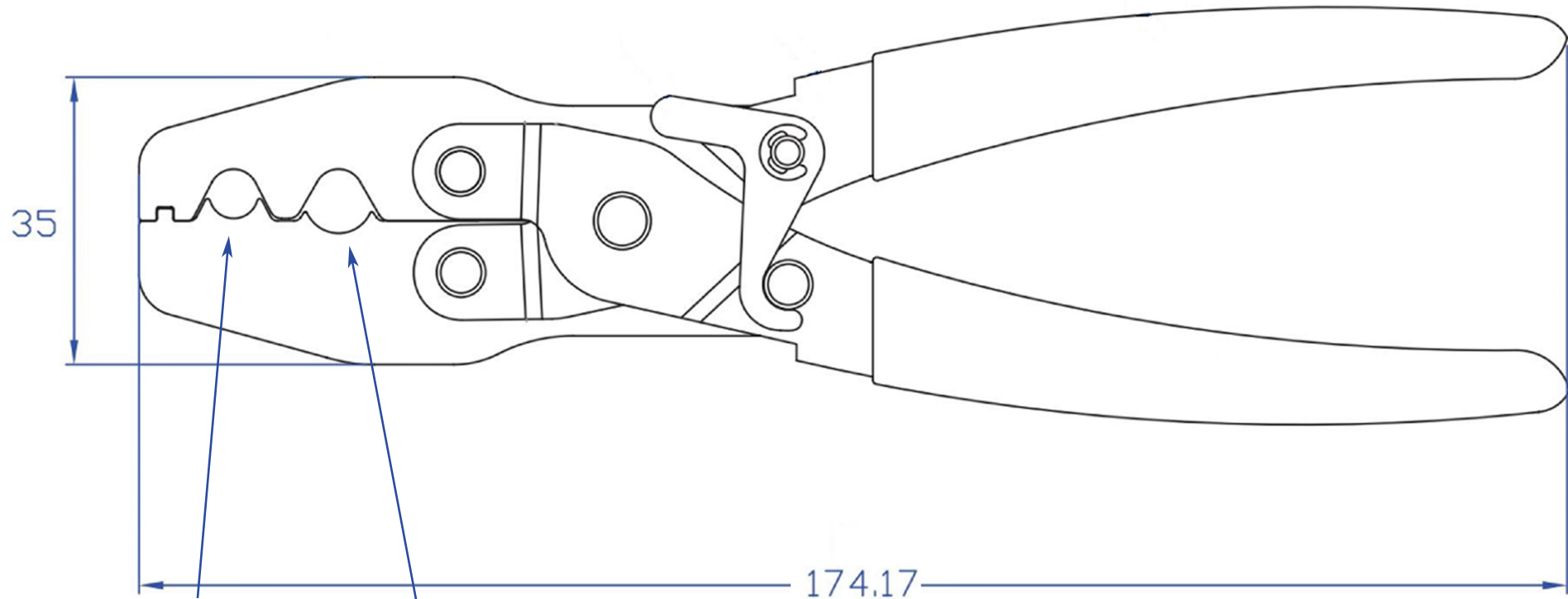
Commodity code: 82032090

EAN: 5055386510242

Country of Origin: Taiwan



Thickness: 30mm



O.D. Max : 6.0mm O.D. Max : 8.5mm