

IP Rated Category 6A Panel Mountable Socket



IP Rated Category 6A Panel Mountable Socket (WSGJK)

An IP68 rated Category 6A socket that is designed to be mounted onto panels of virtually any thickness. Suitable for use with a standard patch cord, it is robust, fire retardant and suitable for any environment where dust and moisture are a concern.

Features:

- Compatible with Category 5e, Category 6 and Category 6A connections
- Fully compliant with Category 6A standards
- Designed to withstand a minimum 250 inserts
- IP68 rated on the socket side (i.e. dust tight and can be immersed for up to 30 minutes in water up to 1m depth).
- Screw in plug adaptor allows for the use of conventional patch leads and also reduces the risk of accidental disconnections.
- No unnecessary twisting of the connection, when used with a suitable cut-out.
- Suitable for cable OD 5.2 – 8.2mm and for conductors 22-26 AWG (0.64 – 0.51mm)

Specifications:

- Net weight (incl. packaging): 56g
- Dimensions (incl. packaging): 110 x 55 x 50 mm
- Colour: Black housing, orange washer and silver socket

- Materials:
 - Housing: PA66 Plastic
 - Insert: Flame Retardant PBT
 - Socket: Zinc alloy
 - RJ45 Contact: Gold Plated Phosphor Bronze, 1.27µ" / 50µm

Packaging: packaged in individual poly bags and then bags of 20

Commodity code: 85369010

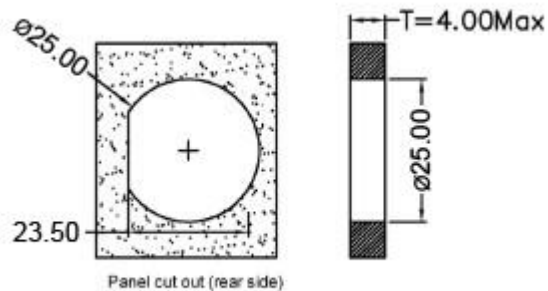
EAN: 5055386510280

Country of Origin: China

Illustrative Images:



Dimensions of panel cut-out:



20/03/2023

TUK Ltd, Unit 4, Wimbledon Stadium Business Centre, Riverside Road, London SW17 0BA

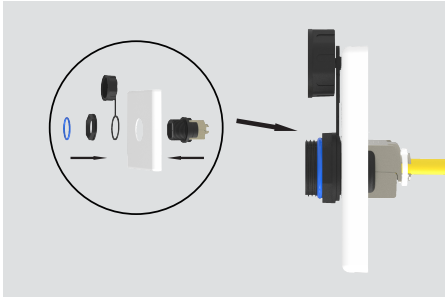
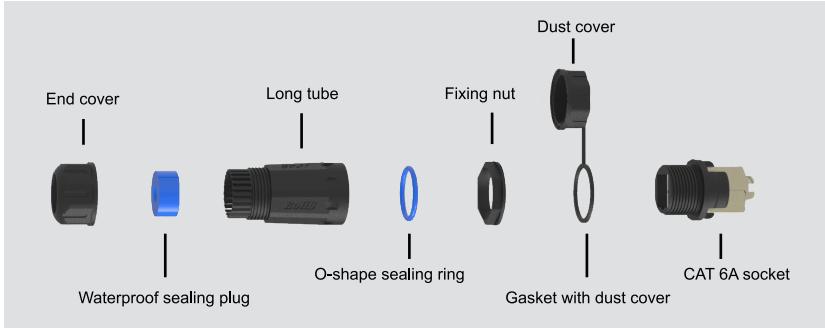
Tel: 020 8946 6688 Fax: 020 8879 7410 E-mail: sales@tuk.co.uk Website: www.tuk.co.uk



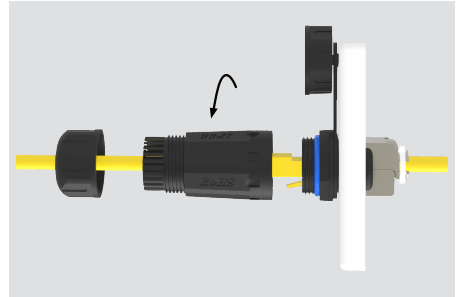
IP68 Category 6A Socket Mounting Instructions



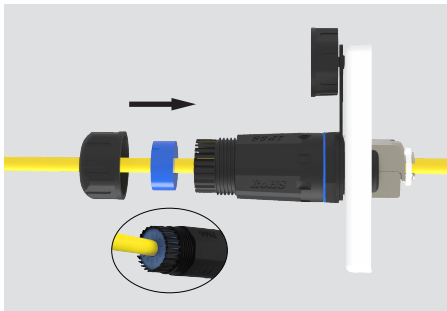
Code: **WSGJK**



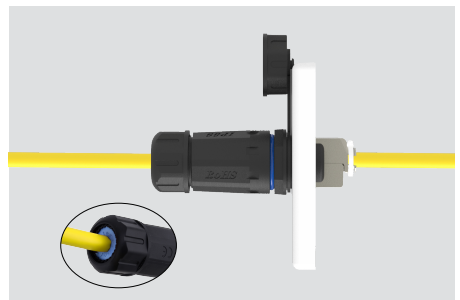
1. Assemble and tighten in sequence as shown in the figure. Seal with dustcover until ready for use



2. Pass the patch cord through the end cover and the long tube. Then insert the connector. Tighten the long tube.

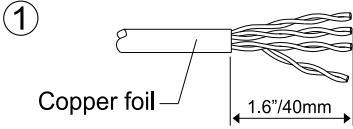


3. Lock the waterproof plug on the cable, then put it into the end of the long tube. Note: The plug is engraved with the word "waterproof" on one side outward.



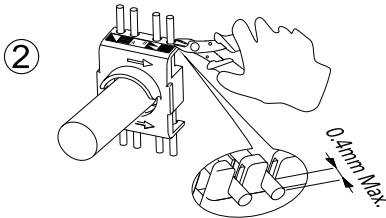
4. Screw the end cover onto the long tube. Finally check whether the waterproof plug has a good fit with the cable.

Socket Termination Guide

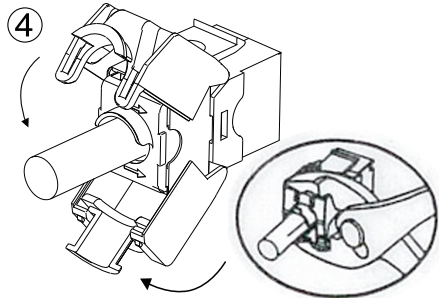


Strip off 1.6 inches/40mm of cable jacket and fold braid back over. Cut off aluminium foil for each pair and wrap the copper foil supplied around the cable maintaining contact with earth wire and/or cable braid

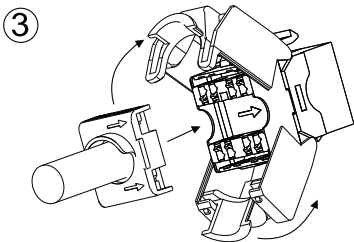
JACK PIN DESIGNATIONS	TIA/EIA T568A	TIA/EIA T568B
	1	White/Green
2	Green	Orange
3	white/Orange	White/Green
6	Orange	Green
4	Blue	Blue
5	white/Blue	white/Blue
7	White/Brown	White/Brown
8	Brown	Brown



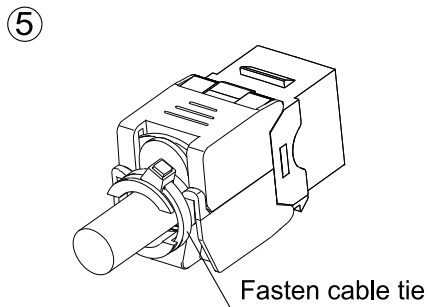
Insert the cable into the termination cap and fan out all four twisted pairs. Following the relevant colour code, carefully position the cores into the necessary slots. Trim flush the surplus cores



Ensure the socket is completely closed, pliers can be used. Ensure continuity of shielding



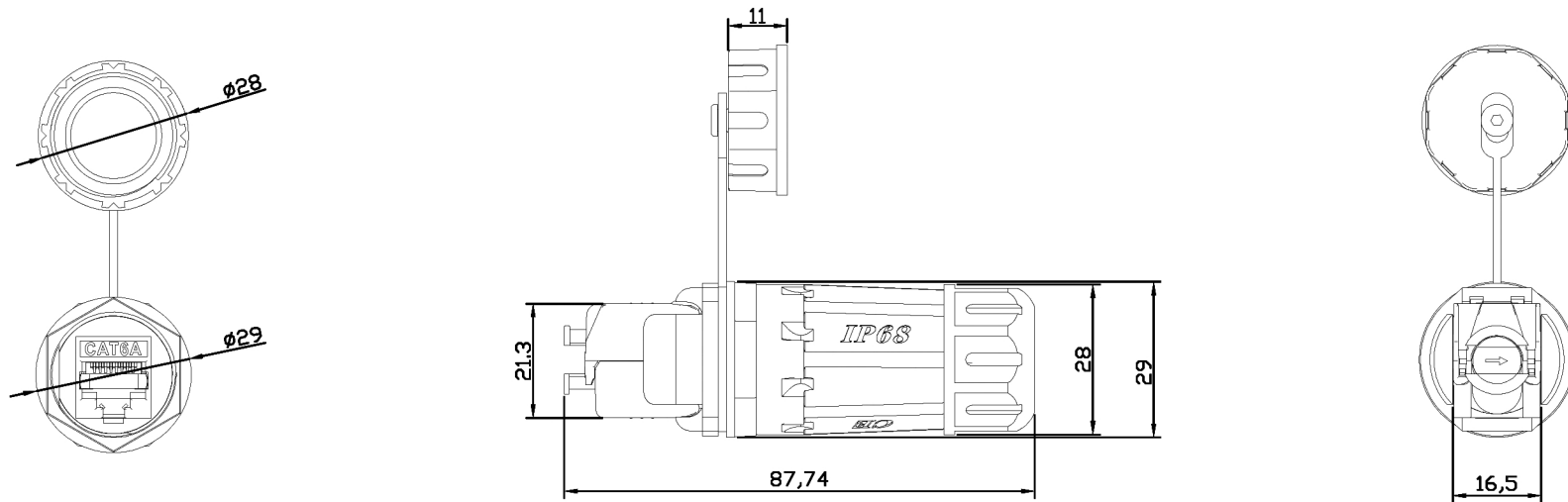
Insert the loaded termination cap into the socket, ensuring the arrows face the same direction. Evenly press the 'wings' together



Fasten cable tie

ROHS Compliant

Code: WSGJK



NOTES:

ELECTRICAL:

1. VOLTAGE RATING:125 VAC RMS
2. CURRENT RATING:1.5AMP
3. CONTACT RESISTANCE:100MILLIOHMS MAX
4. INSULATION RESISTANCE:1000 MEGOHMS MIN @500 VDC
5. DIELECTRIC STRENGTH:750 VAC RMS 60Hz, 1MIN

ENVIRONMENTAL:

1. STORAGE:-40° TO +85°
2. OPERATION: -10°C - +70°C

