

XLR type Category 6A STP Black Fronted Coupler:



XLR type Category 6A STP Black Fronted Coupler (SGACDpmbk)

This die-cast, ruggedised XLR style STP coupler is built to be used in a wide range of challenging environments. Using the industry standard, XLR latch-locking mechanism, it offers a robust connection that comfortably performs to Cat6A. Designed to be easily mounted into XLR style cut-outs, this high quality coupler is ideal for use in environments that require a connection that is robust enough not to be accidentally disconnected.

Features:

- Compliant with:
 - IEEE standard for PoE+ and 4PPoE IEEE 802.3
 - Standard for high performance shielded 8 way connectors IEC 60603-7-51
 - Category 6A standard for Balanced Twisted-Pair Components TIA-568.2-D
 - Standard for generic premise cabling to Class EA/Cat 6A ISO/IEC 11801-1
- Fully shielded, die-cast body offers a durable, sturdy design with outstanding performance in eliminating alien cross-talk
- Industry standard XLR latch-locking mechanism
- Please note: Not suitable for use with 6p4c (RJ11 type) or 6p6c (RJ12 type) plugs
- Not compatible with Neutrik male connector NE8MC6-MO and NKE6S* cables

Specifications:

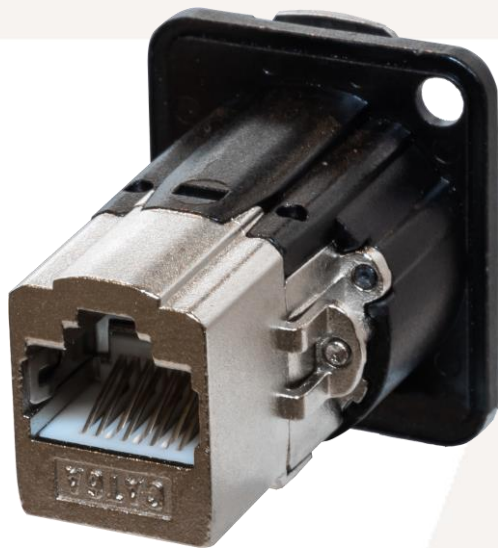
- Net weight (including primary packaging): 43 g
- Dimensions: 32 x 30 x 40 mm

- Colour: Silver with black front
- Materials:
 - Internal connector: Impact resistant, UV stabilised ABS+PC 94V0 plastic
 - Housing: Nickel-plated zinc alloy
 - Contact plating: 50µ"/1.27µm gold over contact area
- Operating temperature: -40°C to 66°C
- Plug insertion tested to over 750 times

Packaging: Packed in individual polybags with instructions printed on bag, then in bags of 20

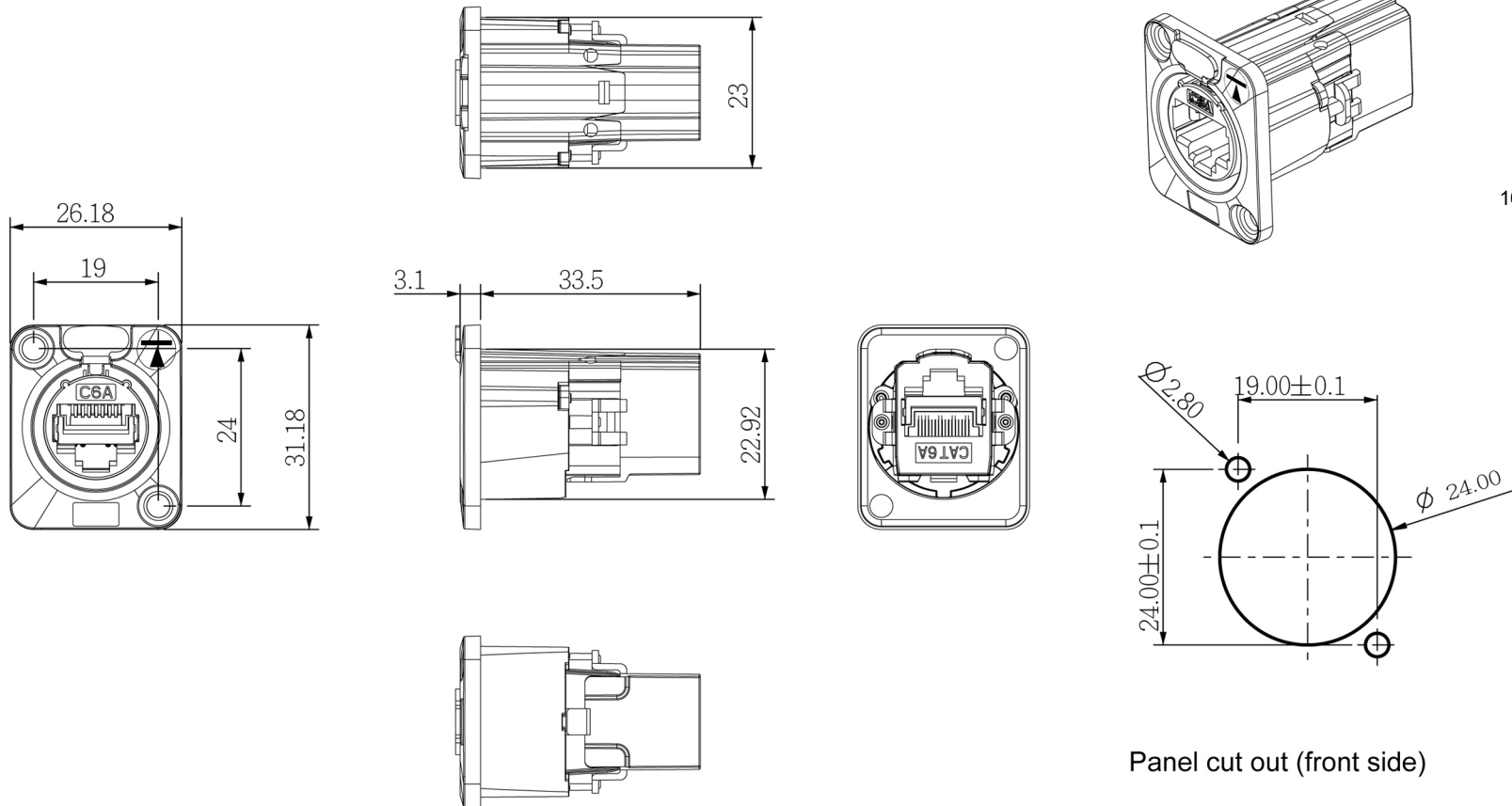
Commodity code: 85444920

EAN: 5055386510433 **Country of Origin:** China



ROHS Compliant

**Code: SGACDpmc
SGACDpmbk**



16/01/2023

Panel cut out (front side)

MECHANICAL

- (1) Materials: Impact-resistant, UV stabilized ABS+PC 94V0 plastic
- (2) Zn alloy+Nickel Plated