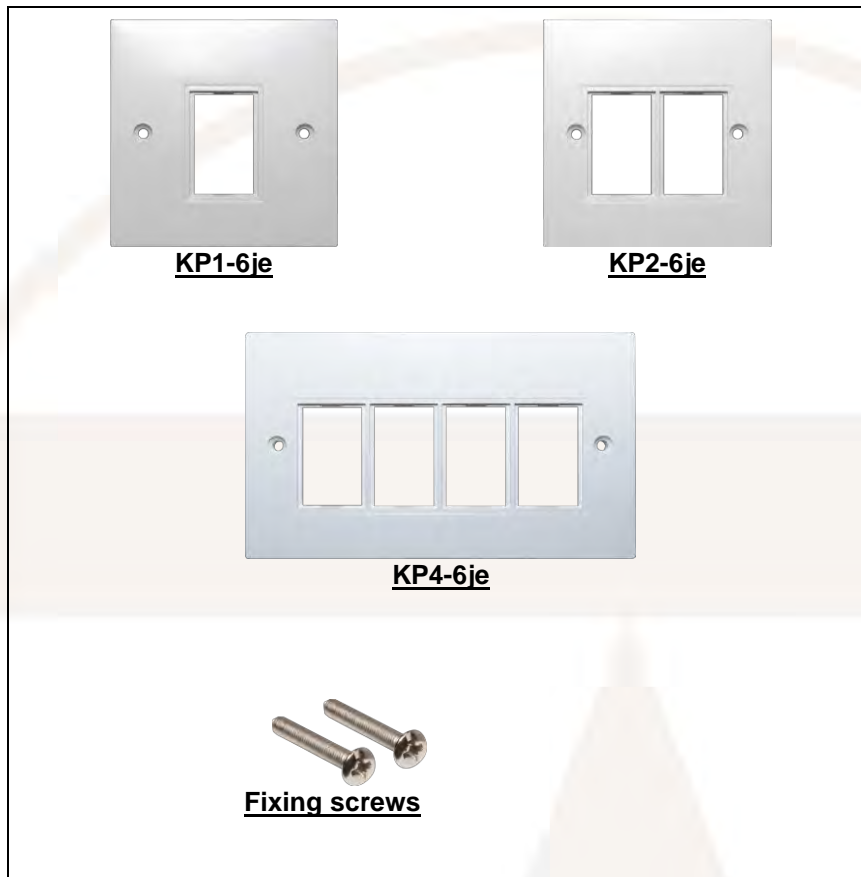


## Low-cost 6c Faceplates



### **Low-cost 6c Faceplates (KP1-6je, KP2-6je KP4-6je)**

*This affordable range of 25x38.5mm (6c style) faceplates is manufactured in high gloss finish in white. They are supplied with fixing screws for installation.*

#### **Features:**

- Flame retardant
- UV stable

#### **Specifications:**

- Colour: white (RAL 9003)
- Material: ABS, UL94V-0
- Designed for use with 6C modules

Faceplate for one snap-in '6c' type module (KP1-6je)

Weight: 20g

Dimensions: 86 x 86 x 10mm

Faceplate for two snap-in '6c' type module (KP2-6je)

Weight: 20g

Dimensions: 86 x 86 x 10mm

Faceplate for four snap-in '6c' type module (KP4-6je)

Weight: 30g

Dimensions: 146 x 86 x 10mm

*Dimensions are accurate to +/- 0.5%*

**Packaging:** packed in 10's

**Commodity code:** 84733020

**EAN:**

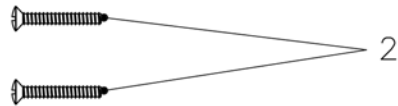
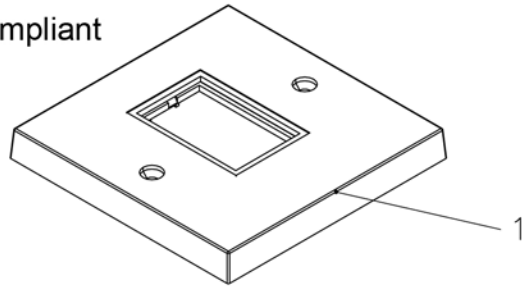
KP1-6je: 5055386503558

KP2-6je: 5055386504593

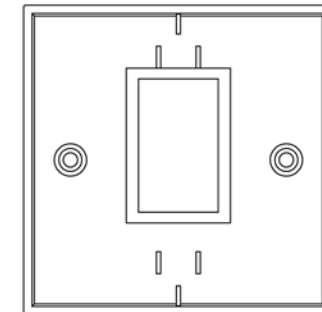
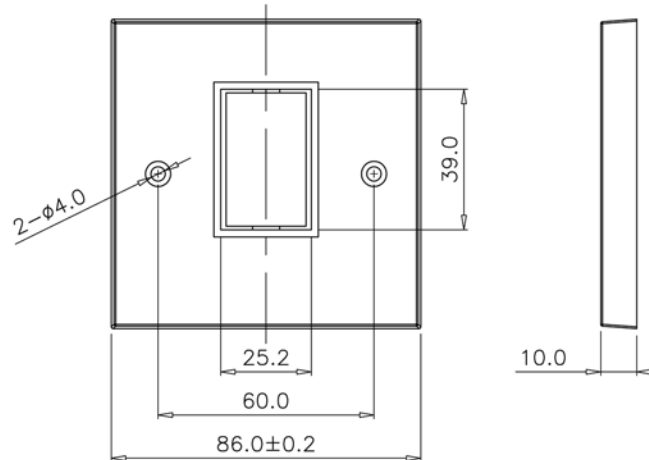
KP4-6je: 5055386502711

**Country of Origin:** China

ROHS Compliant



SCALE 1/2

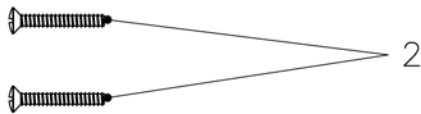
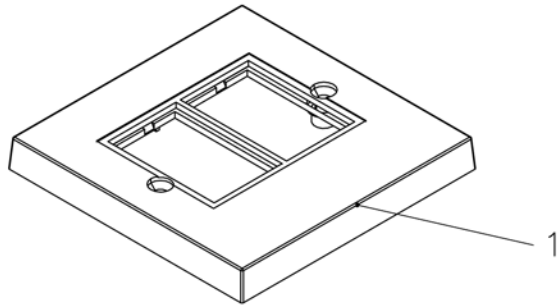

**Specification :**

Material :

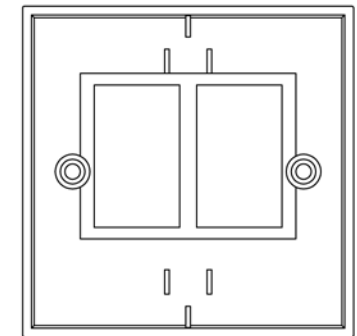
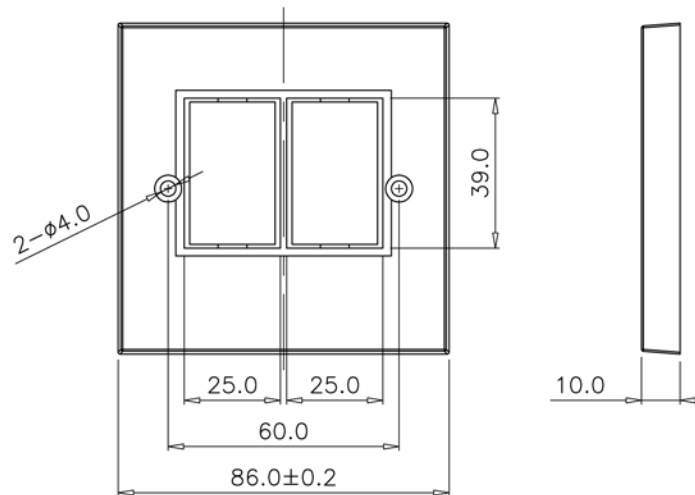
1. Face Plate : ABS, UL 94-HB.
2. Screw : M3.5 X L25.0 mm.

ROHS Compliant

Code: KP2-6je



SCALE 1/2



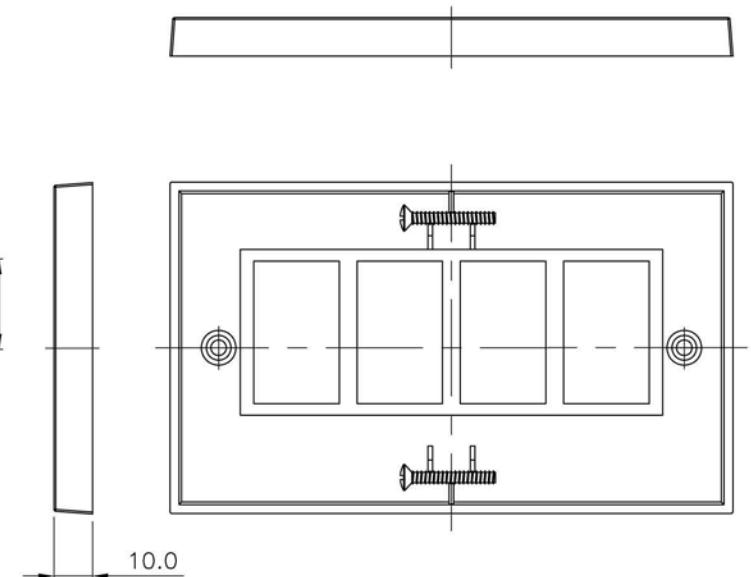
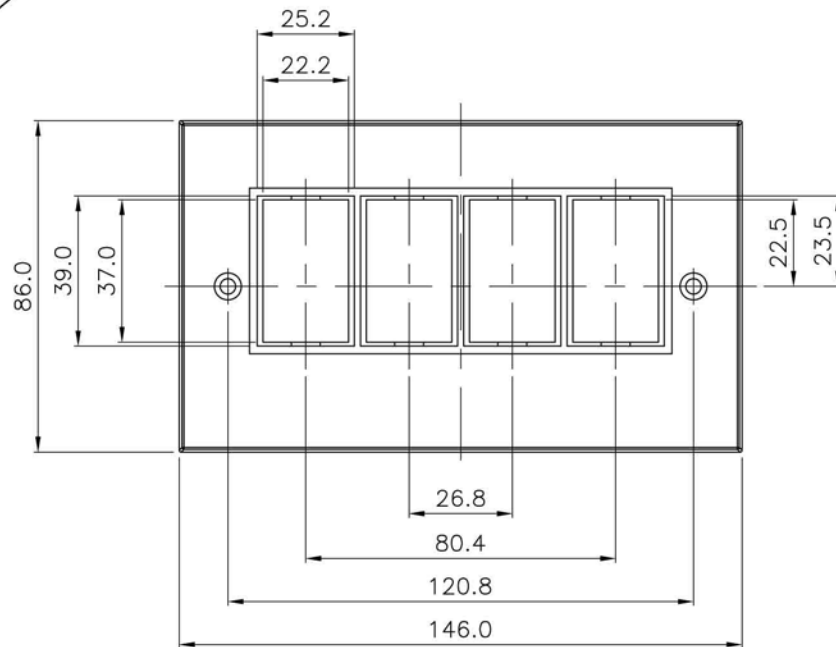
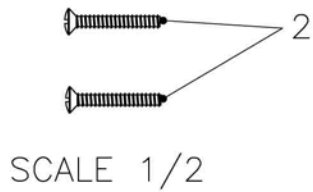
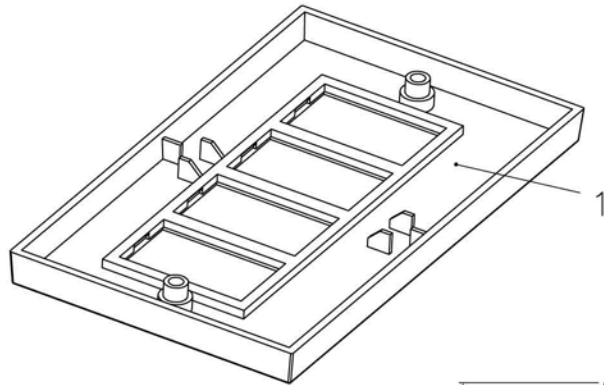
Specification :

Material :

1. Face Plate : ABS, UL 94-HB.
2. Screw : M3.5 X L25.0 mm.

ROHS Compliant

Code: KP4-6je



Specification :

Material :

1. Plate : ABS, UL 94-HB.
2. Screw : M3.5 X L25.0 mm.