

## Low Profile Category 6 6C Outlet:



### **Low Profile Category 6 6C Outlet (SJ6whje, SJ6whje#24):**

This affordable outlet which easily performs to Category 6 TIA/EIA-568-C.2-1 at permanent link, can be quickly and easily terminated and fits most standard 6C faceplates

#### **Features:**

- Performs to Category 6 at permanent link level with good headroom
- Low profile design, shuttered front aperture protects against dust
- Fitted with industry standard Krone (LSA+) type IDC connections
- Compatible with most '6C' style faceplates
- 'Slip-in' label facility for port identification
- Integral cable tie point. Optional cable retention clip also supplied along with additional flexible cable tie facility
- Available in individual polythene bags or in 'bulk packs' of 24 without individual poly bags

#### **Specifications:**

- Weight:  
SJ6whje: 18g                      SJ6whje#24: 356g
- Dimensions (as packed):  
SJ6whje: 40 x 60 x 20mm                      SJ6whje#24: 240 x 225 x 30mm
- Colour: White (RAL 9003)

- **Materials:**
  - IDC:
    - IDC cap: ABS, UL 94-HB IDC
    - Housing: PC + Glass fibre UL 94V-2 IDC
    - Terminal: Tin plated phosphor bronze
  - RJ45 Jack:
    - Housing: ABS UL 94-HB
    - Contact bracket: PC 1250Y, UL 94V-0
  - RJ45 Jack Contact
    - Material: Nickel plated phosphor bronze
    - Finish: 50µ"/1.27 µm gold plating on plug contact area

- T568A and T568B wiring sticker
- Insertion force: 20N max.
- Retention strength: 7.7kg between jack and plug
- Operating temperature: -10°C to 60°C
- Suitable for 22-26 AWG stranded and solid wire with Krone (LSA+) type punch down tool
- Suitable for 6C faceplates

**Packaging:**

SJ6jewh: individually bagged, then bagged in 20s then in 100s  
SJ6jewh#24: in box of 24 pcs, then in outer carton of 24 boxes

**Commodity code:** 84733020

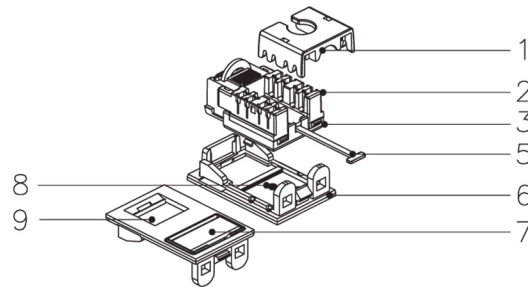
**EAN:** SJ6whje: 5055386510617

SJ6whje#24: 5055386510624

**Country of Origin:** China

ROHS Compliant

Code: SJ6whje



SCALE 1/2

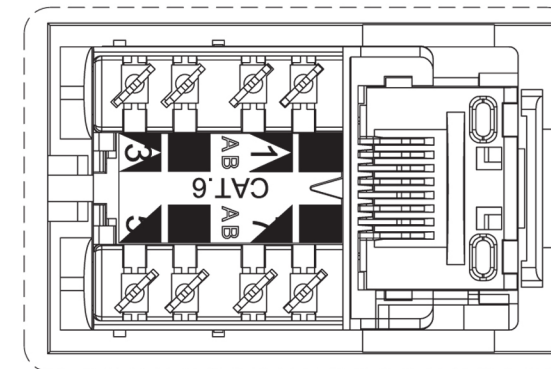
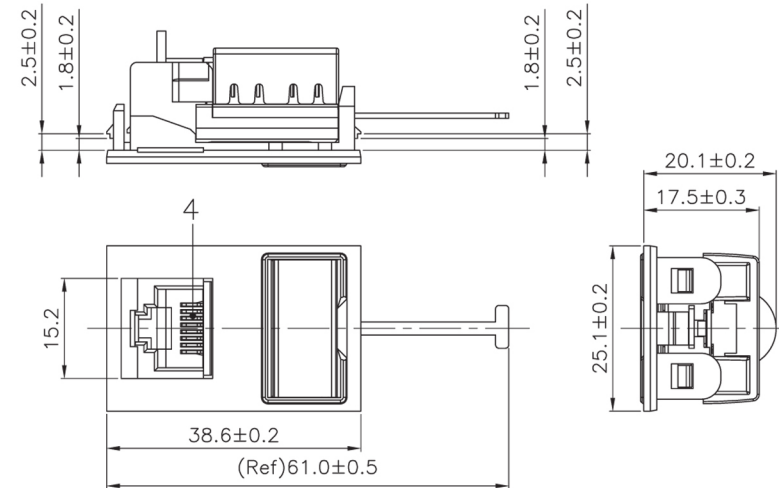
Specification :

Material :

1. IDC CAP : ABS, UL 94-HB.
2. IDC :
  - 2-1. Housing : PC+Glass Fiber, UL 94V-2.
  - 2-2. Terminal : Phosphor Bronze with Tin plated.
3. RJ45 Jack :
  - 3-1. Housing : ABS, UL 94-HB, with optional color.
  - 3-2. Contact Bracket : PC 1250Y, UL 94V-0, Transparence color.
4. RJ45 Jack Contact :
  - 4-1. Material : Phosphor Bronze with Nickel plated.
  - 4-2. Finish : 50 $\mu$ "/1.27  $\mu$ m gold plating on plug contact area
5. Cable holder : PP, UL 94V-2.
6. Modular Frame : ABS, UL 94-HB, with white color.
7. Identification :
  - 7-1. I.D. Plate : Polycarbonate, UL 94V-0, Transparence color.
  - 7-2. Paper.
8. Spring : SUS.
9. Dust Cover : ABS, UL 94-HB, with white color.
10. PCB : FR4, UL 94V-0.

Performance :

- a. T568A & T568B wiring sticker.
- b. Insertion force : 20N max. (IEC 60603-7-4)
- c. Retention strength : 7.7 kg between Jack and Plug.
- d. Operating temperature : -10°C to 60°C. (ISO/IEC 11801, ANSI/TIA 568 C.2)
- e. Life(mating cycles) :
  - \*Jack : 750 cycles min. (ISO/IEC 11801, IEC 60603-7-4)
  - \*IDC : Suitable for 22-26 AWG stranded and solid wire, with Krone punch down tool.
- f. The CAT.6 channel transmission performance is in compliance with TIA/EIA 568 C.2-1 standard.



SCALE 2/1