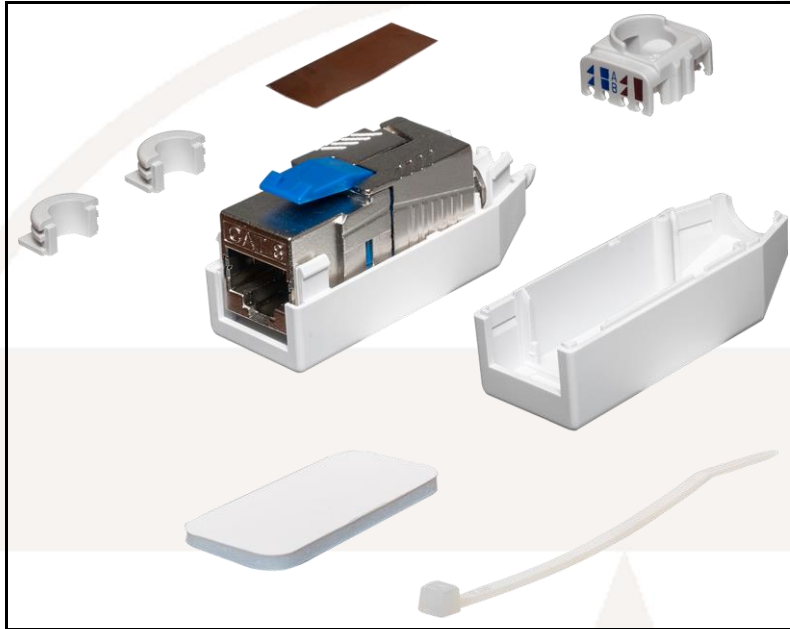


Category 8 inline socket



Category 8 inline socket (SEIL)

This inline socket allows quick and easy terminations via tool-less IDCs and “butterfly” levers. It meets all performance requirements for an RJ45 socket up to Category 8. The assembly is packaged in a convenient snap-together housing which offers straightforward termination for production lines or in the field.

Features:

- Transmission performance in compliance with the ANSI/TIA-568-C.2-1 permanent link specifications for Category 8 (i.e. suitable for cable runs of between 5 -30 metres)
- Suitable for 0.51-0.65mm/ 22-24AWG stranded or solid cores
- Compliant with IE60512-99-001 – suitable for use with 4PPoE (IEEE 802.3bt Type 4 PoE++ 100W)
- Zinc die cast shielded Category 8 keystone offers a tool less termination solution in a compact ABS white housing with grommet
- Supplied with foil for enhanced continuity of shielding. Adhesive pad also included to assist for semi-permanent installations
- Suitable for cable OD from 5.5mm to at least 8mm (different sized grommets supplied)
- Suitable for assemblies of 3m or longer

Specifications:

- Net weight (including primary packaging): 32 g
- Dimensions: (including packaging) 58mm x 20mm x 26mm (Housing 52.5 x 20 x 25mm)
- Colour: Silver FTP connector located in a compact white housing
- Materials:
 - Contacts: 50µ"/1.27 µm gold plating over nickel, over phosphor bronze
 - Socket body in nickel-plated die cast zinc
 - Housing: ABS

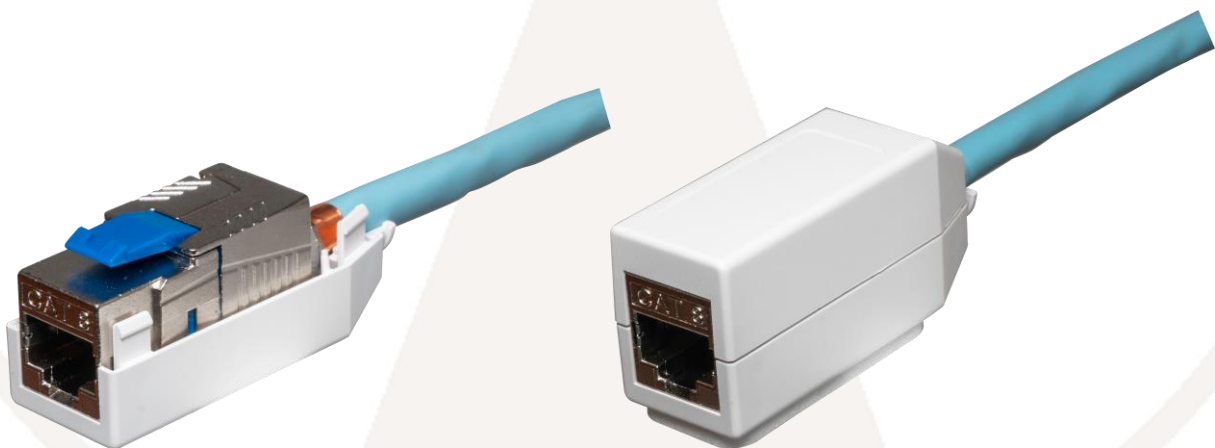
Packaging: In individual polythene bags and then in bags of 20

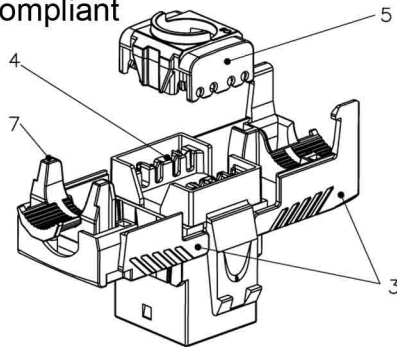
Commodity code: 85177090

EAN: 5055386508478

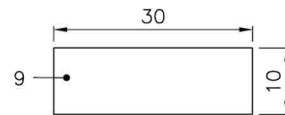
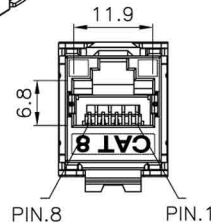
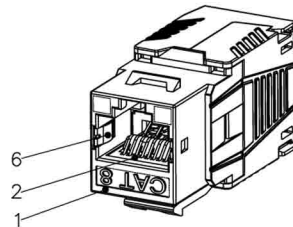
Country of Origin China

Illustrative images



ROHS Compliant


SCALE 1/1



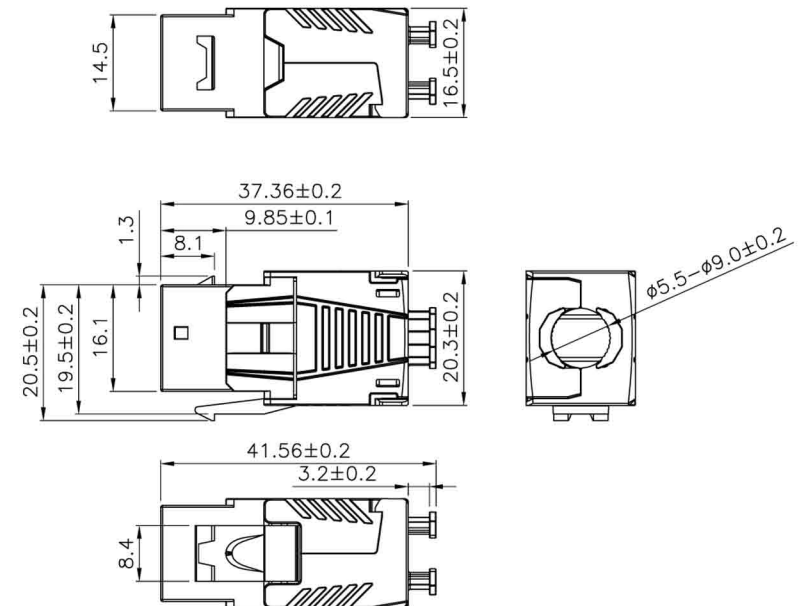
Copper foil tape

Specification :
Material :

1. RJ45 Jack :
 - 1-1. Housing : Zinc die-casting with nickel plated.
 - 1-2. Contact bracket : PC, UL 94-V2, transparent color.
2. RJ45 Jack contact :
 - 2-1. Material : Phosphor bronze with nickel plated.
 - 2-2. Finish : 50 micro-inch gold plated on plug contact area.
3. Cap A&B : Zinc die-casting with nickel plated.
4. IDC :
 - 4-1. Housing : PC+glass fiber, white color, UL 94-V2.
 - 4-2. Terminal : Phosphor bronze with tin plated.
5. Cap : PC+glass fiber, white color, UL 94-V2.
6. Grounding contact : Stainless steel.
7. Grounding contact block : Zinc die-casting with nickel plated.
8. PCB : UL 94V-0.
9. Copper foil tape.

Performance :

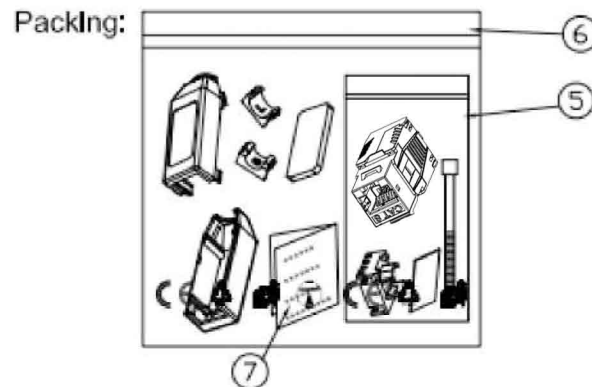
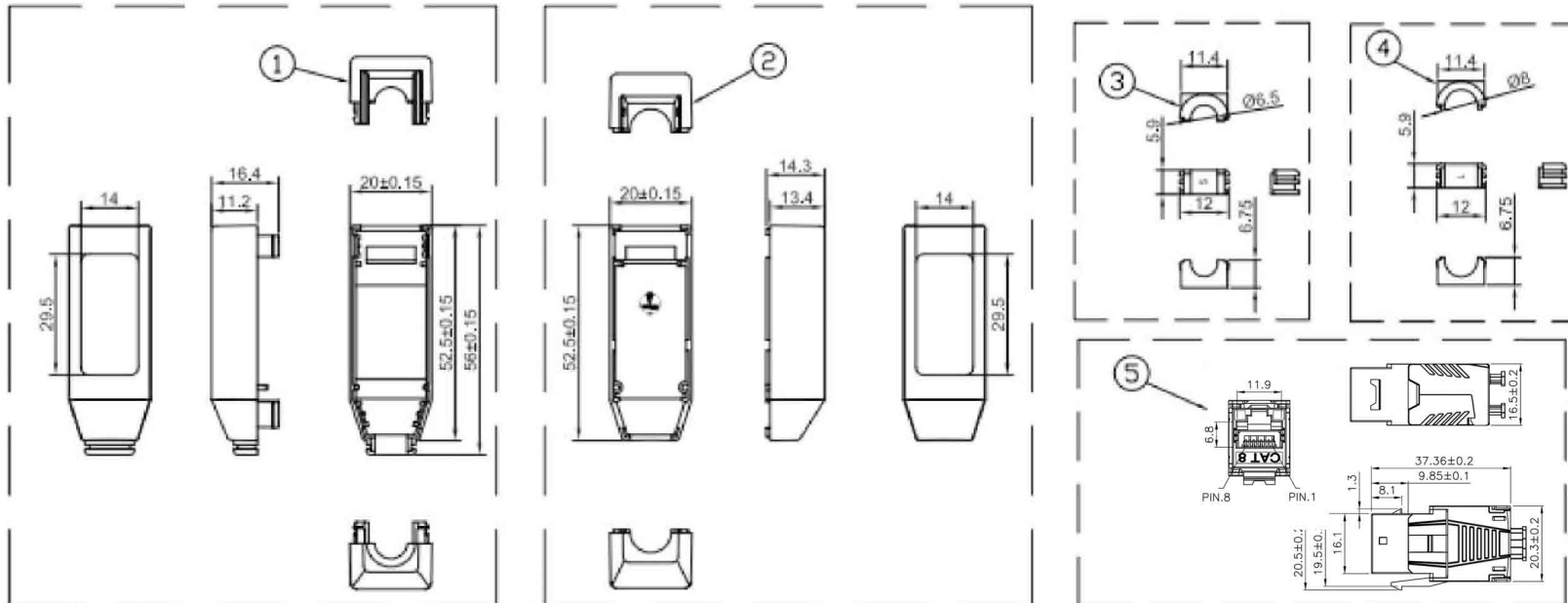
- a. T568A & T568B wiring.
- b. Insertion force : 30N max. (IEC 60603-7-5).
- c. Retention strength : 7.7 kg between Jack and Plug.
- d. Operating temperature : -10°C to 60°C. (ISO/IEC TR 11801-9901, ANSI/TIA 568-C.2-1).
- e. Life time :
 - e-1. Jack : 750 cycles min. (ISO/IEC 11801, IEC 60603-7-5).
 - e-2. IDC : Suitable for 22-24AWG stranded and solid wire, min. 20-installation cycles.
- f. The Cat 8 transmission performance is in compliance with the ANSI/TIA 568-C.2-1 standard.



GENERAL TOLERANCE OF DIMENSIONS	
X.XXX	±0.005
X.XX	±0.05
X.X	±0.1

ROHS Compliant

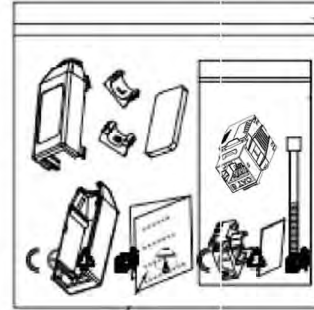
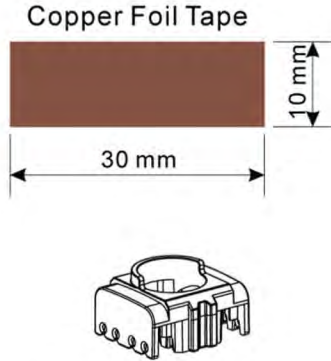
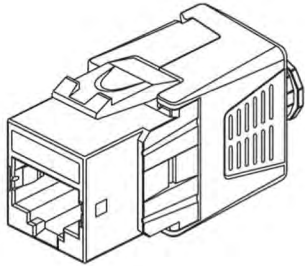
Code: SEIL



1. Lid
2. Base
3. Half grommet, small (S)
4. Half grommet, large (L)
5. Cat 8 keystone socket
6. Clipseal outer bag
7. Assembly instructions
8. Adhesive pad

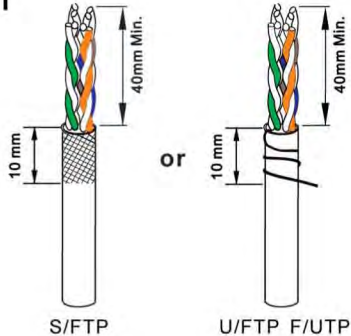


Category 8 Inline Socket Assembly Guide

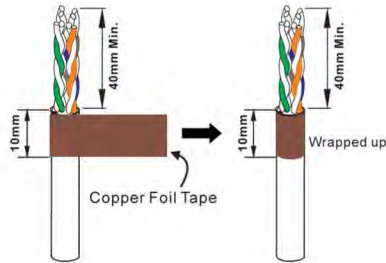


Contents: Keystone socket (including wiring cap, metal foil and cable tie), housing (lid and base), half-grommet (2 sizes) and self adhesive pad

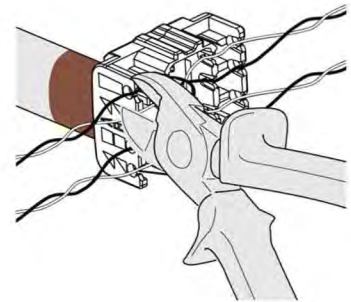
1



2



3

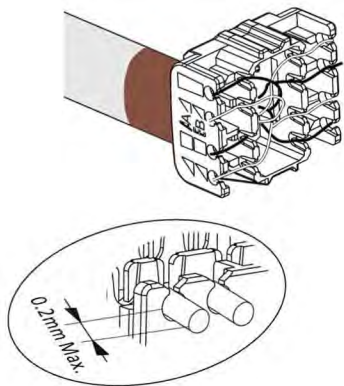




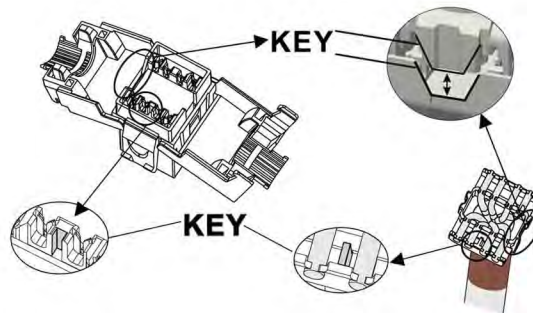
Category 8 Inline Socket Assembly Guide



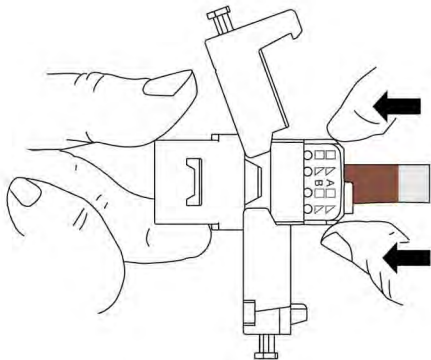
4



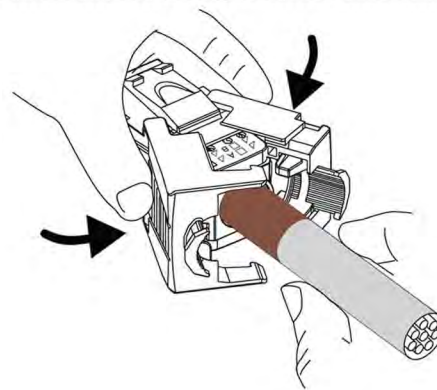
5



6



7

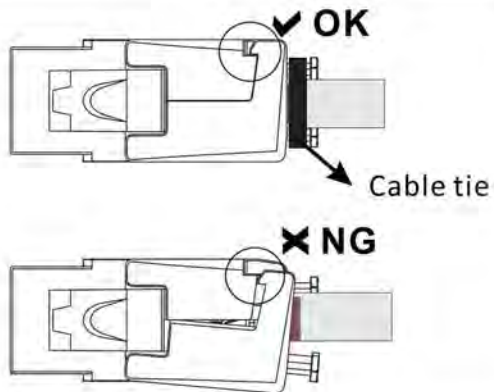




Category 8 Inline Socket Assembly Guide



8



9

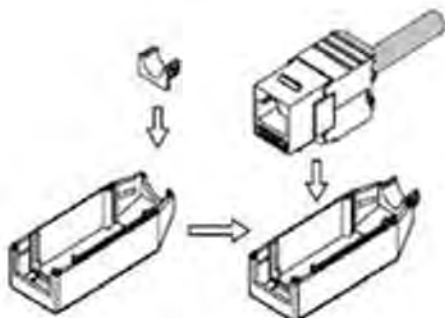


Cable OD 6.6mm
to 8.0mm

Cable OD 5.5mm
to 6.5mm

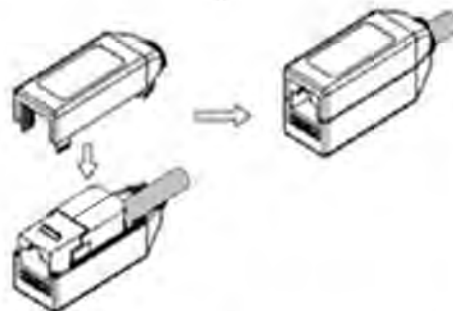
Choose the correct size of grommet for your cable, S or L

10



Position the grommet into the base of the housing,
followed by the keystone jack cable assembly

11



Press down the cover of the housing and complete
the whole assembly