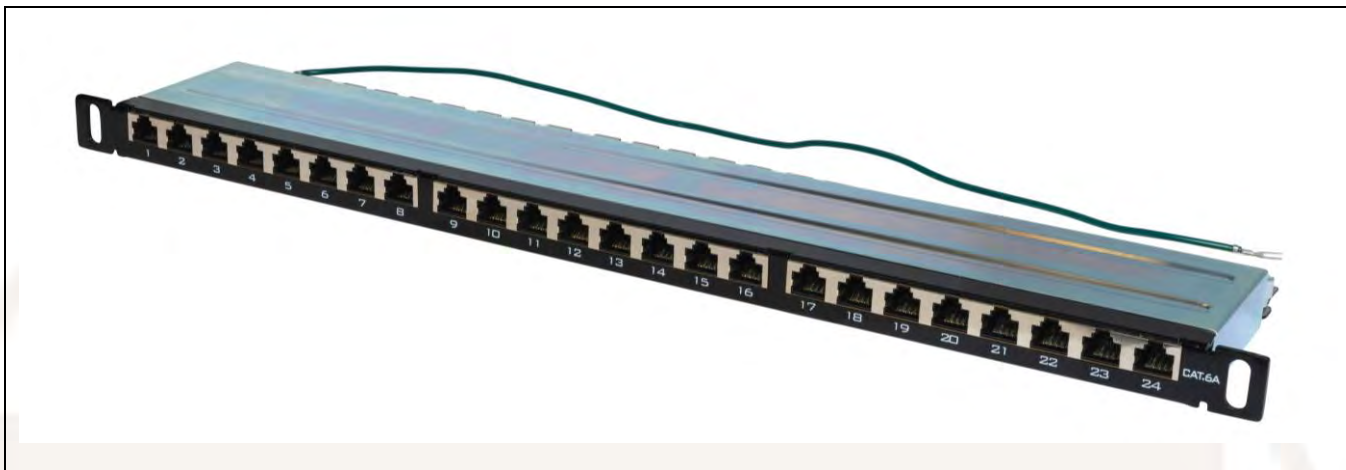


Category 6A 0.5U 24 Port Patch Panel:



Category 6A 0.5U 24 Port Patch Panel (SGF24mc0.5):

TUK's horizontal 0.5U Category 6A FTP patch panel offers high performance, very high density and a competitive price. Connections are industry standard LSA+ type and are conveniently arranged horizontally to provide flexible cable management and space saving.

Features:

- Performs to Category 6A standards (permanent link level)
- 0.5U construction enables double the space efficiency of standard panels with virtually no difference in termination time
- Robust and high quality metal construction
- Integral "tray type" horizontal IDC's for ease of termination, with 'offset' arrangement to minimise crosstalk
- Accommodates LSA+ type termination tools
- Clear labelling for T568B wiring
- Supplied with cage nut set, cable ties and earth lead

Specifications:

- Net weight (including primary packaging): 1288g
- Dimensions: 482.6 x 116.9 x 22.23 mm
With outer packaging: 525 x 148 x 33mm Carton of 6: 540 x 180 x 320mm
- Colour: Black and silver

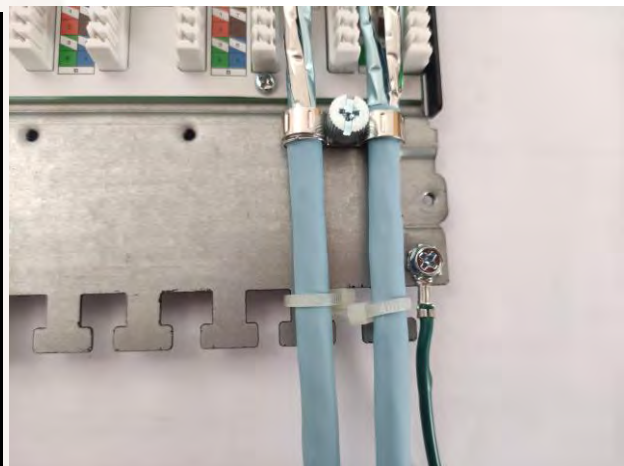
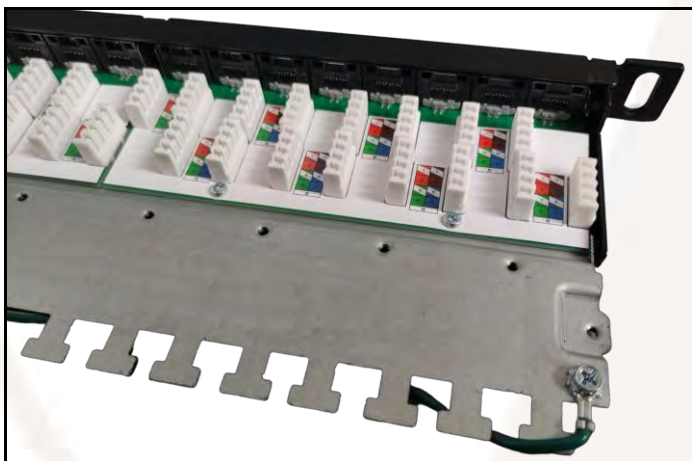
- Electrical specifications:
Current rating: 1.5A
Dielectric withstanding voltage: 1000VAC 60Hz
Insulation resistance: 500M Ω min.
Contact resistance: 20m Ω max.
- Materials:
RJ45 jack contacts: 50 μ "/1.27 μ m gold plated phosphor bronze
Frame: Cold rolled steel

Packaging: Product supplied in individual carton then in cartons of 6

Commodity code: 85177090

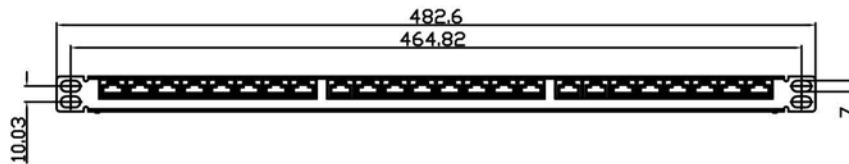
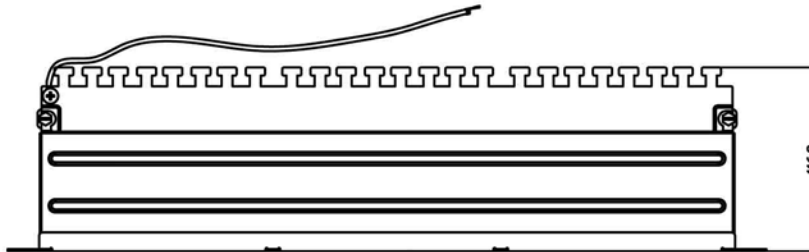
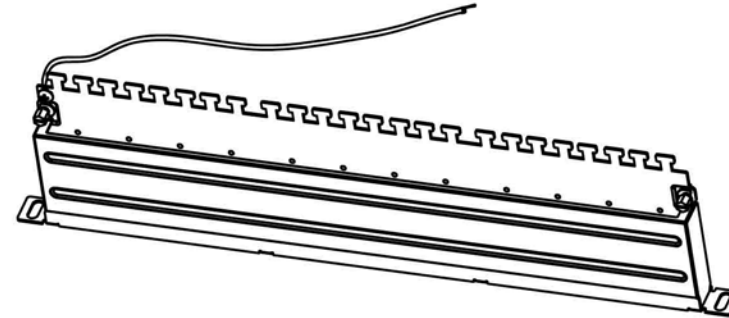
EAN: 5055386511034

Country of Origin: China



Illustrative images

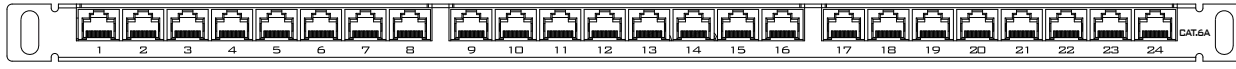
ROHS Compliant



ELECTRICAL
 CURRENT RATING : 1.5A
 DIELECTRIC WITHSTANDING VOLTAGE : 1000VAC 60Hz
 INSULATION RESISTANCE : 500 MΩ MIN.
 CONTACT RESISTANCE : 20 mΩ MAX.

MECHANICAL
 (1) Materials: PC+ABS, PBT+15%GF and polycarbonate
 (2) RJ45 Jack Contact: Phosphor bronze, 50u" Gold Plating
 (3) Iron Bracket: SGCC with Gray paint, SPCC with Electroplating
 (4) Cavity conforms to FCC rules and Regulations Part 68

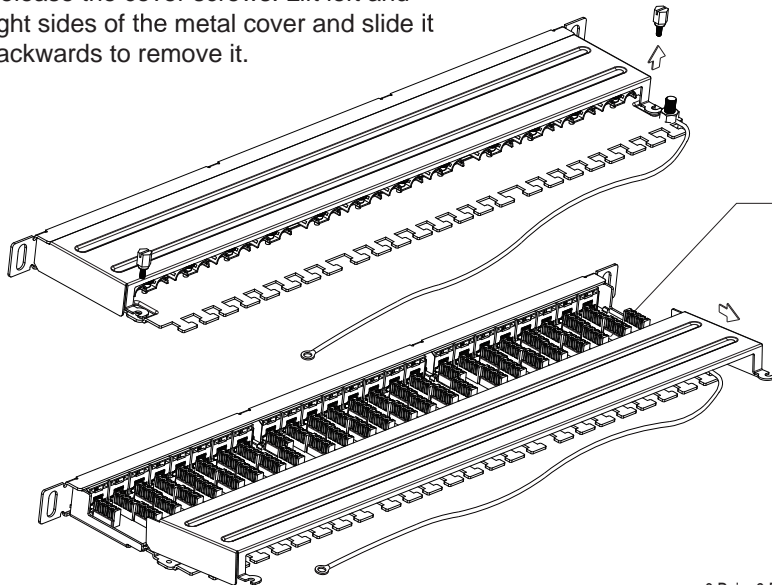
Installation Manual



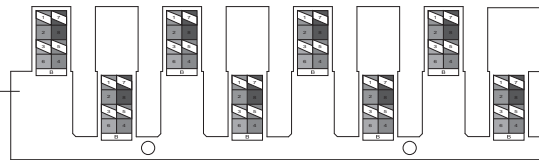
FRONT

1. Step 1:

Release the cover screws. Lift left and right sides of the metal cover and slide it backwards to remove it.



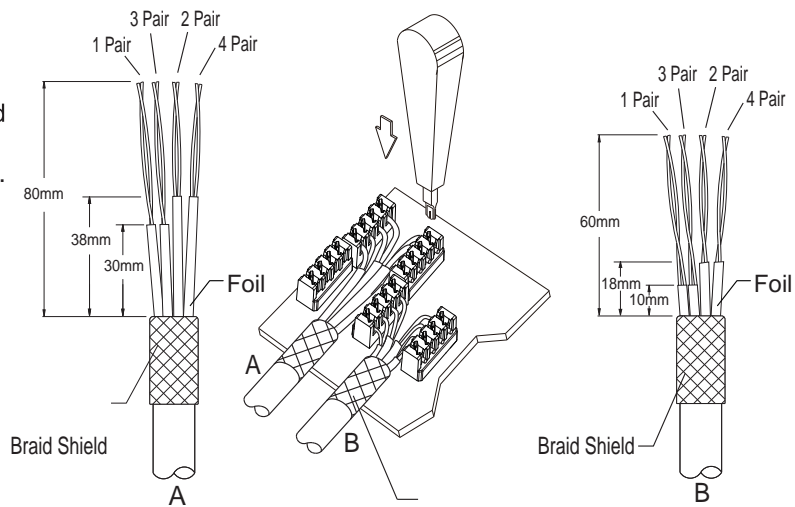
Wiring Label



IDC Terminals	T568B Pair/Wire	Colour
Pin 5 Pin 4	1	White/Blue Blue
Pin 1 Pin 2	2	White/Orange Orange
Pin 3 Pin 6	3	White/Green Green
Pin 7 Pin 8	4	White/Brown Brown

2. Step 2:

Strip and remove cable jacket as recommended. Fold braid/foil shielding back over jacket. Leave the foil on pairs intact; keep the pair foil at the suggested length. **N.B. different lengths. See A and B per diagram.**

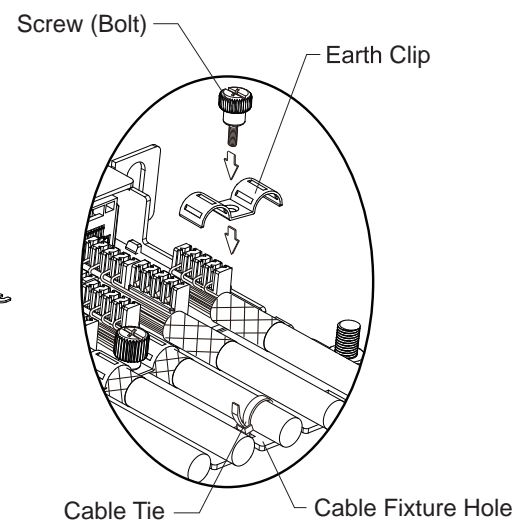
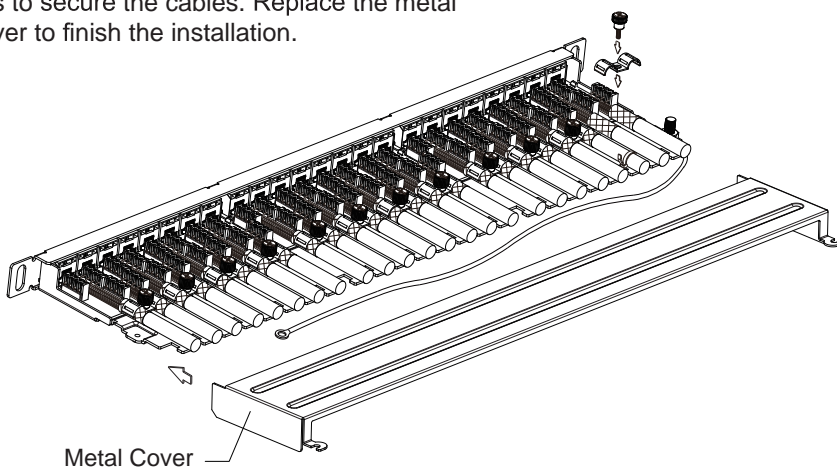


3. Step 3:

Refer to the colour coding on labels, allocate the pairs according to the colour coding in sequence; use LSA+ type insertion tool to terminate all cores.

4. Step 4:

Place earth clip on the cables; tighten the bolt until the cable is fastened to secure earthing between cable and panel. Use supplied cable ties to secure the cables. Replace the metal cover to finish the installation.



SGF24mc0.5

