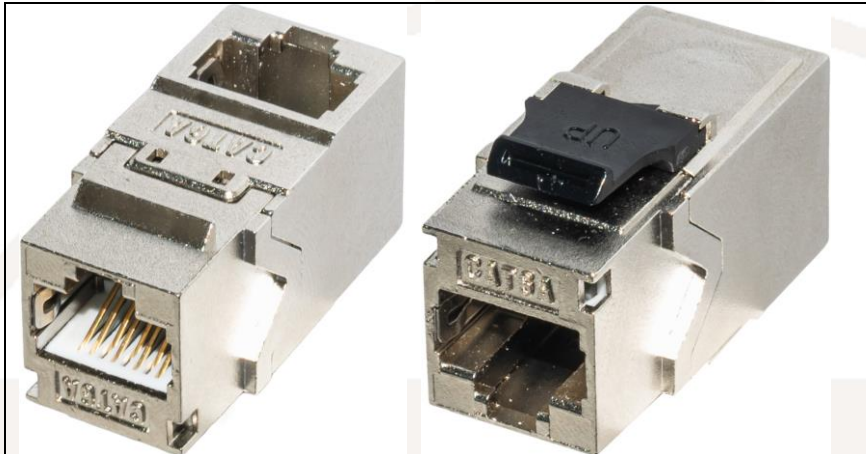


Category 6A 90° Keystone Panel Mount Coupler



90° Keystone Panel Mount Coupler (SGACK902S)

High performance coupler ideal for use in backboxes and in limited space.

Features

- Slim and very compact design enables use in panels or faceplates where width or depth are restricted
- Designed to fit industry standard keystone mount outlets wall plates and patch panels
- High performance data throughput, meets Category 6A data transfer rates
- Diecast body provides outstanding shielding
- Compliant with IEEE standard for PoE+ and 4PPoE IEEE 802.3

Specifications

- Dimensions: 35 x 22.23 x 17mm
- Colour: Silver (shielded)
- Materials:
 - Housing: zinc alloy
 - RJ45 contacts: 50µ"/1.27µm gold plating on phosphor bronze
- Current rating: 1.5A
- Dielectric withstanding voltage: 1000V AC 60Hz
- Insulation resistance: 500MΩ max.
- Contact resistance: 20mΩ min.

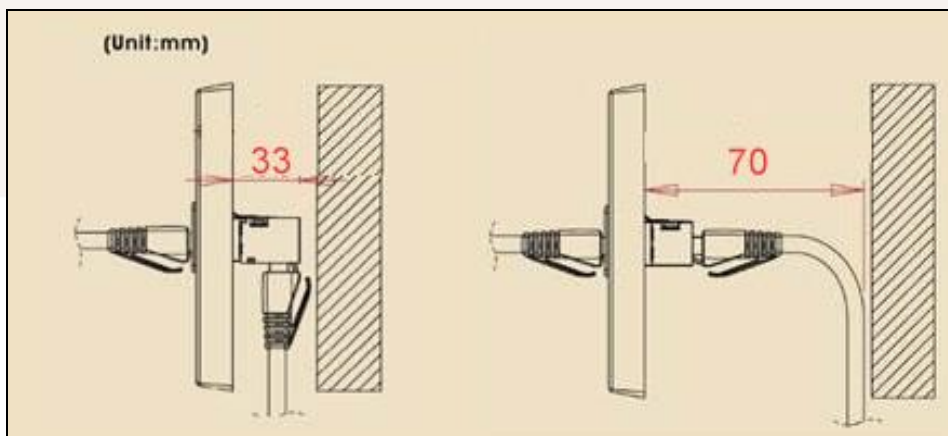
Packaging: supplied in individual polybags then in bags of 20

Commodity Code: 85444920

EAN:

SGACK902S: 5055386511058
SGACK902Spm: 5055386511065
SGACK902SBpm: 5055386511072
SGACK902SDpm: 5055386511089

Country of Origin: China



90° Coupler vs Standard Coupler

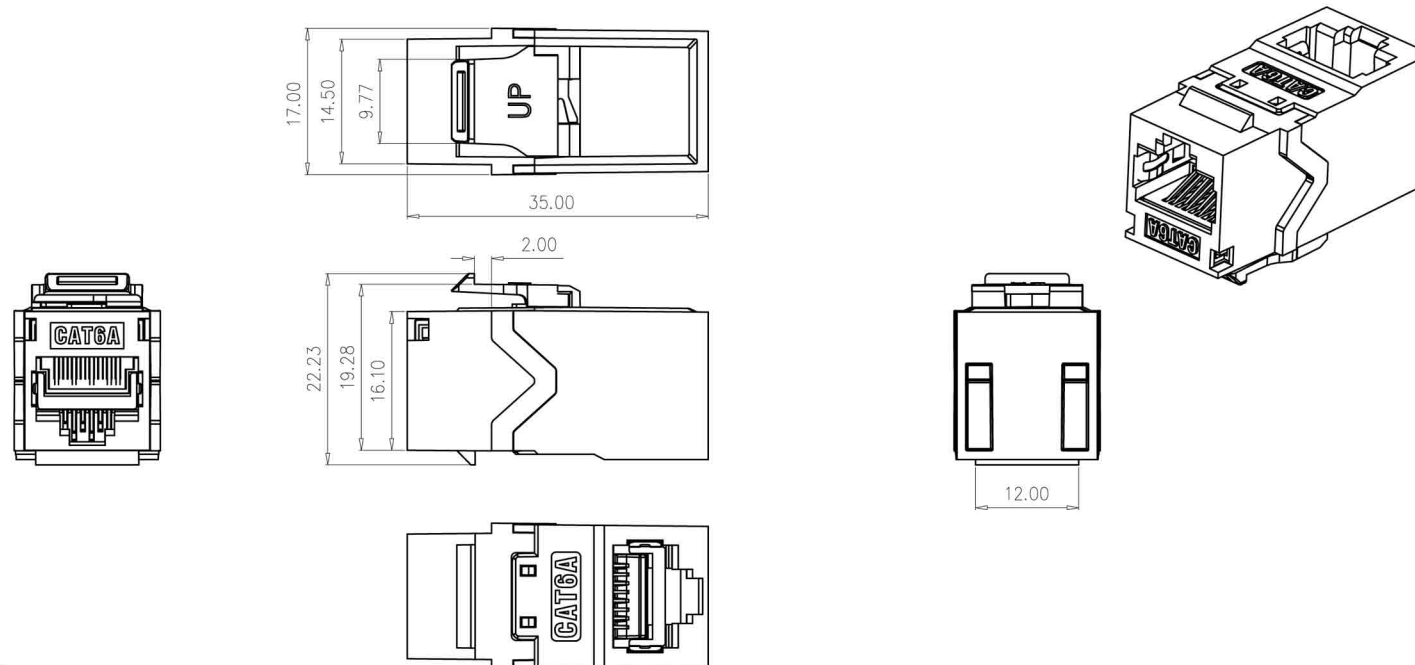


SGACK902Spm

SGACK902SBpm

SGACK902SDpm

ROHS Compliant

**ELECTRICAL**

CURRENT RATING: 1.5A.

DIELECTRIC WITHSTANDING VOLTAGE: 1000V AC 60Hz.

INSULATION RESISTANCE: 500M Ω MIN.CONTACT RESISTANCE: 20m Ω MAX.**MECHANICAL**

(1)Materials:Zinc Alloy

(2)RJ45 Jack Contact:Phosphor bronze,50U"/1.27 μ m Gold Plating