

Low Profile Panel Mount Adaptor for Keystones



Low Profile Panel Mount Adaptor for Keystones (KAPMBfnl)

These adaptors enable keystones to be mounted easily into panels of virtually any thickness and can be used with most keystones of standard size. They are supplied with the choice of flathead M3 and 4:40 screw to ensure a flush, aesthetically pleasing finish.

Features

- Light-weight, durable polycarbonate adaptor ensures easy mounting.
- Provides insulation from interference from the panel.
- Supplied with 2 pairs of crosshead screws
 - 2 x black flat head M3 screws
 - 2 x black flat head 4:40 screws to fit in US style panels.

Specifications

- Weight: 2.5g
- Dimensions: 11 x 19 x 35mm
- Colour: Black, RAL 9011
- Material:
 - Adaptor: Polycarbonate UL94V-0
 - Screws: Steel

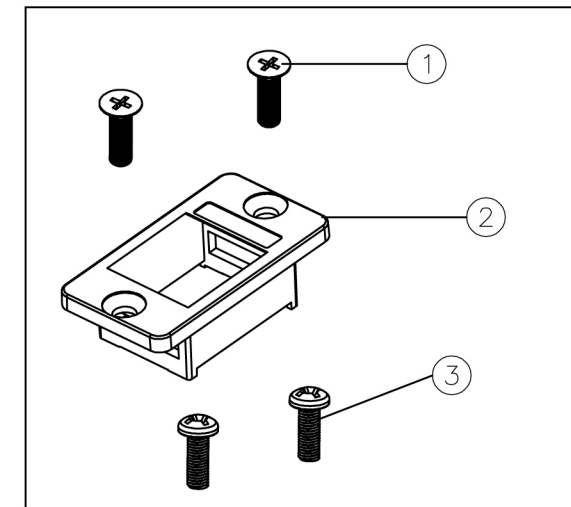
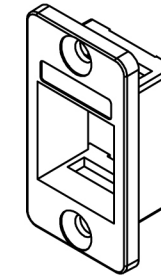
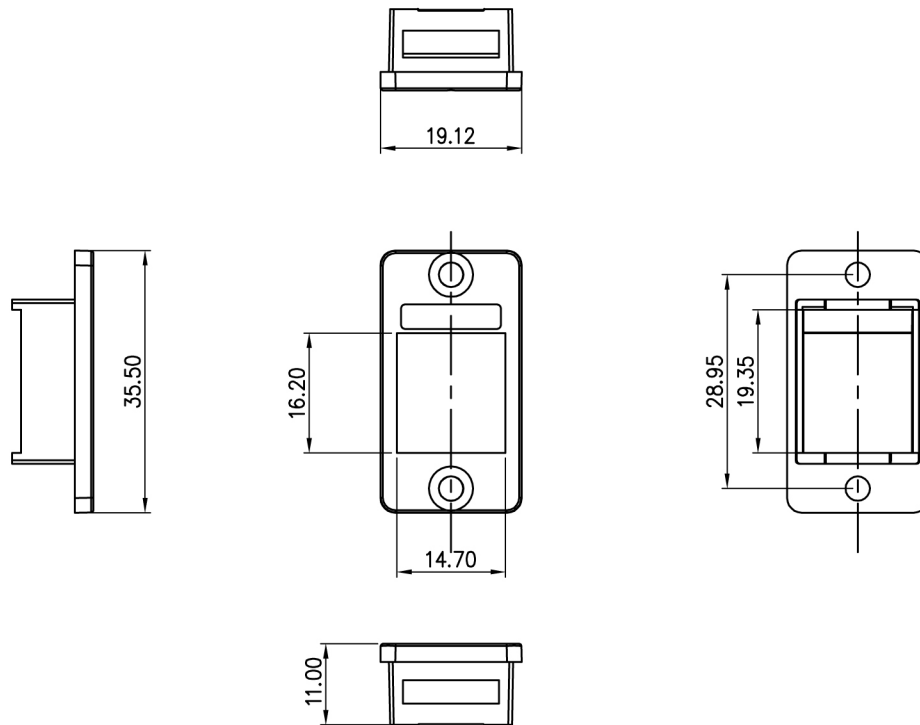
Packaging: Individually poly bags

EAN: 5055386509420

Commodity code: 85444290



ROHS Compliant

Code: KAPMB**Specifications:**

- Materials:

1. Fe
2. Black PC UL94V-0
3. Fe

- Packaging: in packs of 20

- Working temperature: -10 ~ 60°C

- Storage temperature: -40 ~ 70°C