

PREMIER Category 5e Unshielded Anti-Snag Plug



Category 5e Unshielded *SPEEDY* RJ45 PREMIER Plug (PRLSPDY5)

Our *SPEEDY* RJ45 PREMIER anti-snag arc-latch feedthrough plug for Cat 5e unshielded cable combines two innovations in the same item. The now-established feedthrough design simplifies twisted pair terminations while at the same time twist is maintained, enabling a better performing crimp. The new snagless latch design avoids the need for an anti-snag from the strain relief boot; leads can more easily be removed from panels or sockets without the encumbrance of rubber boots. Strain relief boots can be omitted without risking snagging.

Features

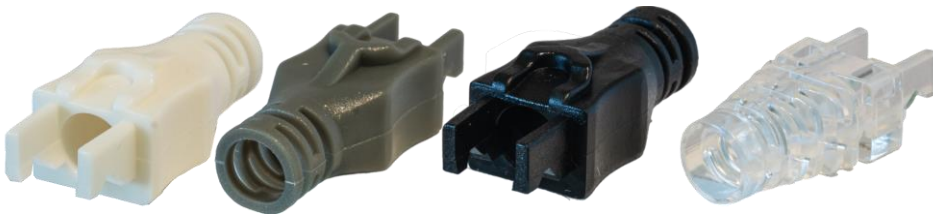
- Compliant with Category 5e patch cord standard
- Allows cores to be inserted through the body and pulled out of the front to ensure the correct wiring order before crimping. By pulling the cores into the plug, twists can easily be maintained up to the contacts, enabling fully rated category performance
- Snagless arc latch design avoids tangling and breakage of latch.
- Able to accommodate cables with sheath O.D. of 6.0mm
- For stranded or solid wire cores from 23-26 AWG (0.65 – 0.40mm), for inner cores up to 1.04mm O.D
- Perfect solution for rapid termination; faults and failures minimised; less cable scrap and wastage

N.B. Must be used with suitable crimp tool such as our [TRCSPDY5](#)



SPEEDY RJ45 PREMIER Designed for use with transparent polycarbonate flush strain relief boots ([PRSL5.5/6.5](#))

or coloured PVC strain relief boots ([PRSLBk/Gy/Wh](#))



Specifications

- Materials:
Housing: Polycarbonate UL94-V2
Contact pin: 50 μ m/1.27 μ m gold plating over nickel over phosphor bronze
- Net weight (including primary packaging):
#20 32g
#50 86 g
- Dimensions: (including primary packaging)
#20 110x85x15mm (poly bag of 20)
#50 145 x 55 x 40mm (cardboard carton of 50)

Packaging:

#20 Packed in poly bags

#50 Single use plastic minimised - supplied in cardboard cartons of 50

EAN number: 5055386511591

Commodity code: 85444920

Country of origin: China

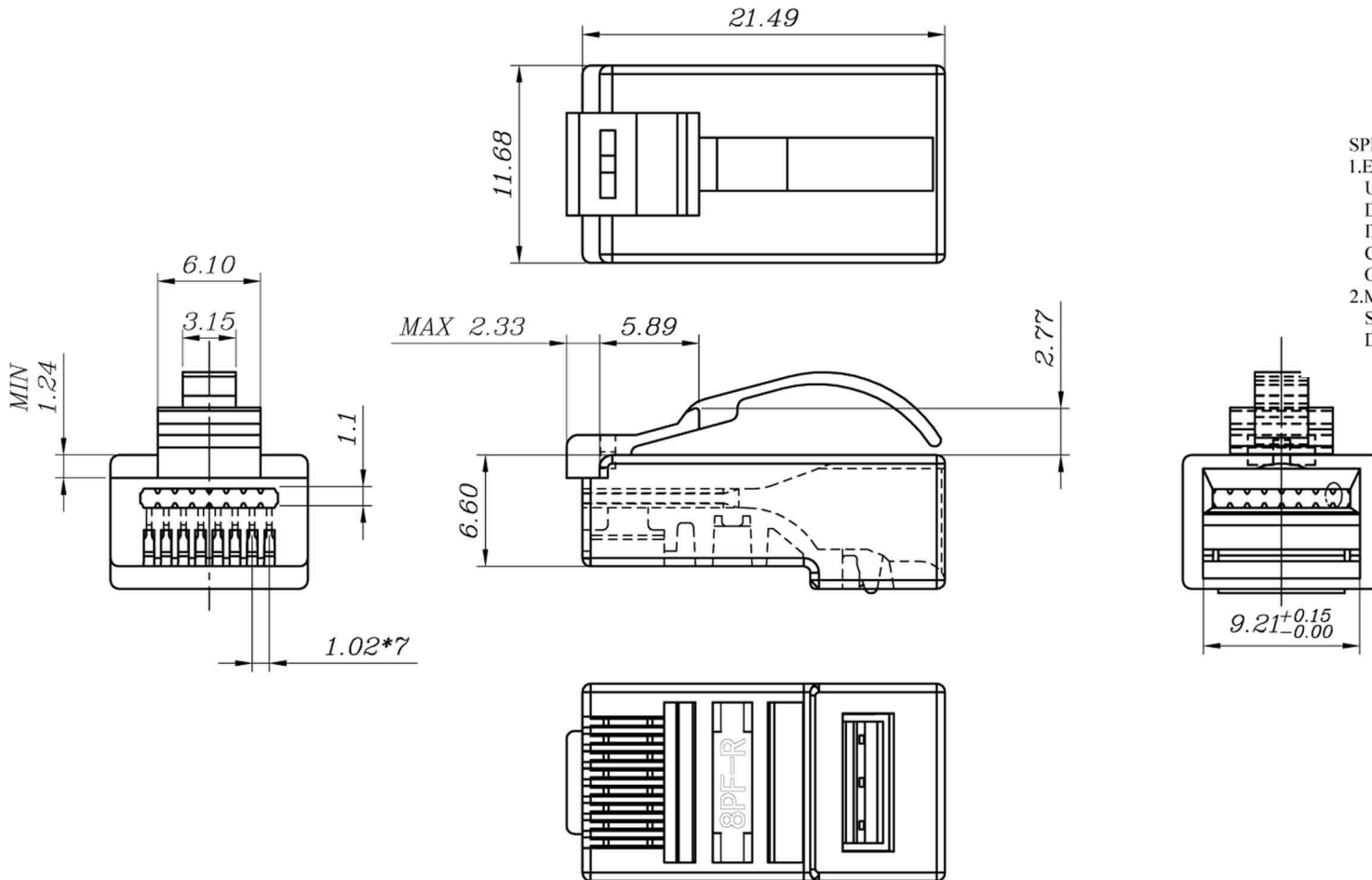


10/12/2024



ROHS Compliant

Code: PRLSPDY5



SPECIFICATIONS

1.ELECTRICAL:

UL APPLICATIONS: 250 VOLTS AC MAX. AT 2 AMPS.
DIELECTRIC WITHSTANDING VOLTAGE : 1000 VOLTS AC. 60 SEC.
INSULATION RESISTANCE: 500 MΩ.
CONTACT RESISTANCE: 20mΩ MAX.
OPERATING AMBIENT TEMPERATURE: -20°C ~ 75°C.

2.MECHANICAL:

STRAIN RELIEF: 20POUND MIN.
DURABILITY: 1200 MATING CYCLES.



08/04/2024