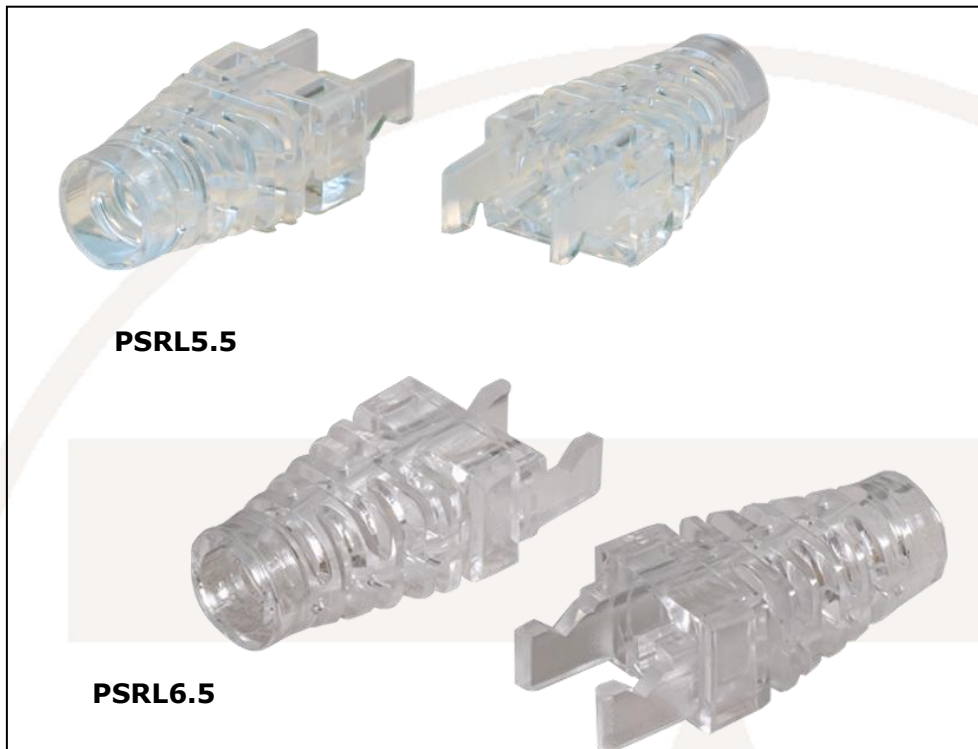


Transparent Strain Relief Boots For Arc Latch Plugs



These compact flush strain relief boots are designed to fit our anti-snap arc-latch plugs (PSRL5.5/6.5)

Features

- Without anti-snap; designed to accommodate smooth operation of arc latch plugs
- Premium flush design, suitable for use in high density hubs and switches
- Transparent, high strength, polycarbonate boot with high gloss finish; gives premium appearance to assembled leads
- Suitable for cable diameter size: approx. 5.5mm (PSRL5.5) or 6.5mm (PSRL6.5)
- Packaged to minimise single use plastic

Specifications

- Material: Polycarbonate UL94-V2
- Colour: Transparent
- Weight: PSRL5.5 48g (carton of 50)
PSRL6.5 46g (carton of 50)

Packaging

Supplied in cardboard cartons of 50

- PRLS5.5/6.5 Dimensions including packaging 145 x 55 x 40mm

EAN number:

PSRL5.5: 5055386511645

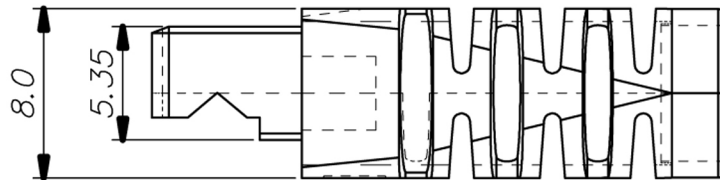
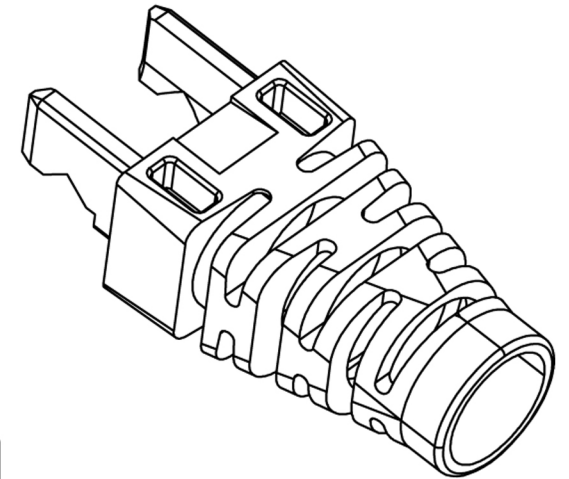
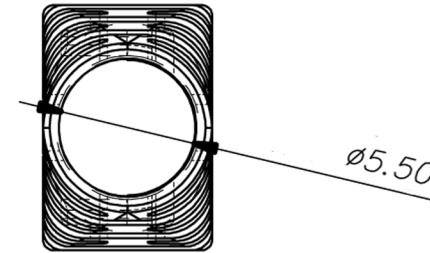
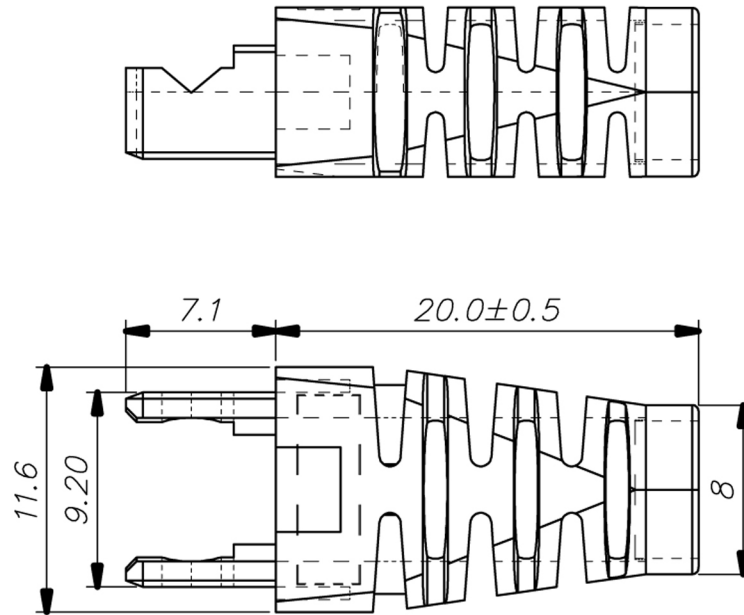
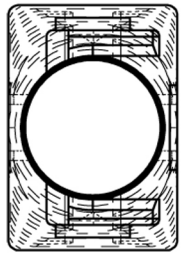
PSRL6.5: 5055386511638

Commodity code: 85444920

Country of origin: China

ROHS Compliant

Code: PSRL5.5



ROHS Compliant

Code: PSRL6.5

