

## Category 6A Shielded Arc Latch Plug:



### **Category 6A Shielded Arc Latch Plug (PRLGS):**

*Our Category 6A STP snagless RJ45 8p8c arc latch plug avoids the need for an anti-snag from the strain relief boot; leads can more easily be removed from panels or sockets without the encumbrance of rubber boots. Strain relief boots can be omitted without risking snagging.*

#### **Features:**

- Unshielded
- Compliant with Category 6A patch cord standard
- Snagless arc latch design avoids tangling and breakage of latch
- Three prong pin fits stranded or solid cores 23 – 26 AWG / 0.573 – 0.404mm, with insulation OD 0.98 – 1.05mm
- Suitable for termination of solid or stranded STP cables with sheath O.D. of 5.5 – 6.5mm
- Two piece design with 3 up 5 down configuration to maintain separation

#### **Specifications:**

- Net weight (including primary packaging): 130g
- Dimensions: 145 x 55 x 40mm (cardboard carton of 50)
- Colour: silver
- Materials:
  - Housing: Polycarbonate UL94V-2
  - Shielding: Copper nickel alloy
  - Contact blade: copper alloy
  - Contact pin: 50"µ/1.27µm gold plating

**Packaging:** Single use plastic minimised - supplied in cardboard cartons of 50

**Commodity code:** 85444920

**EAN:** 5055386511683

**Country of Origin:** China



ROHS Compliant

**Code: PRLGS**

**SPECIFICATIONS**

**1.ELECTRICAL:**

UL APPLICATIONS: 250 VOLTS AC MAX. AT 2 AMPS.  
 DIELECTRIC WITHSTANDING VOLTAGE : 1000 VOLTS AC. 60 SEC  
 INSULATION RESISTANCE: 500 MΩ.  
 CONTACT RESISTANCE: 20mΩ MAX.  
 OPERATING AMBIENT TEMPERATURE: -40°C 70°C.

**2.MECHANICAL:**

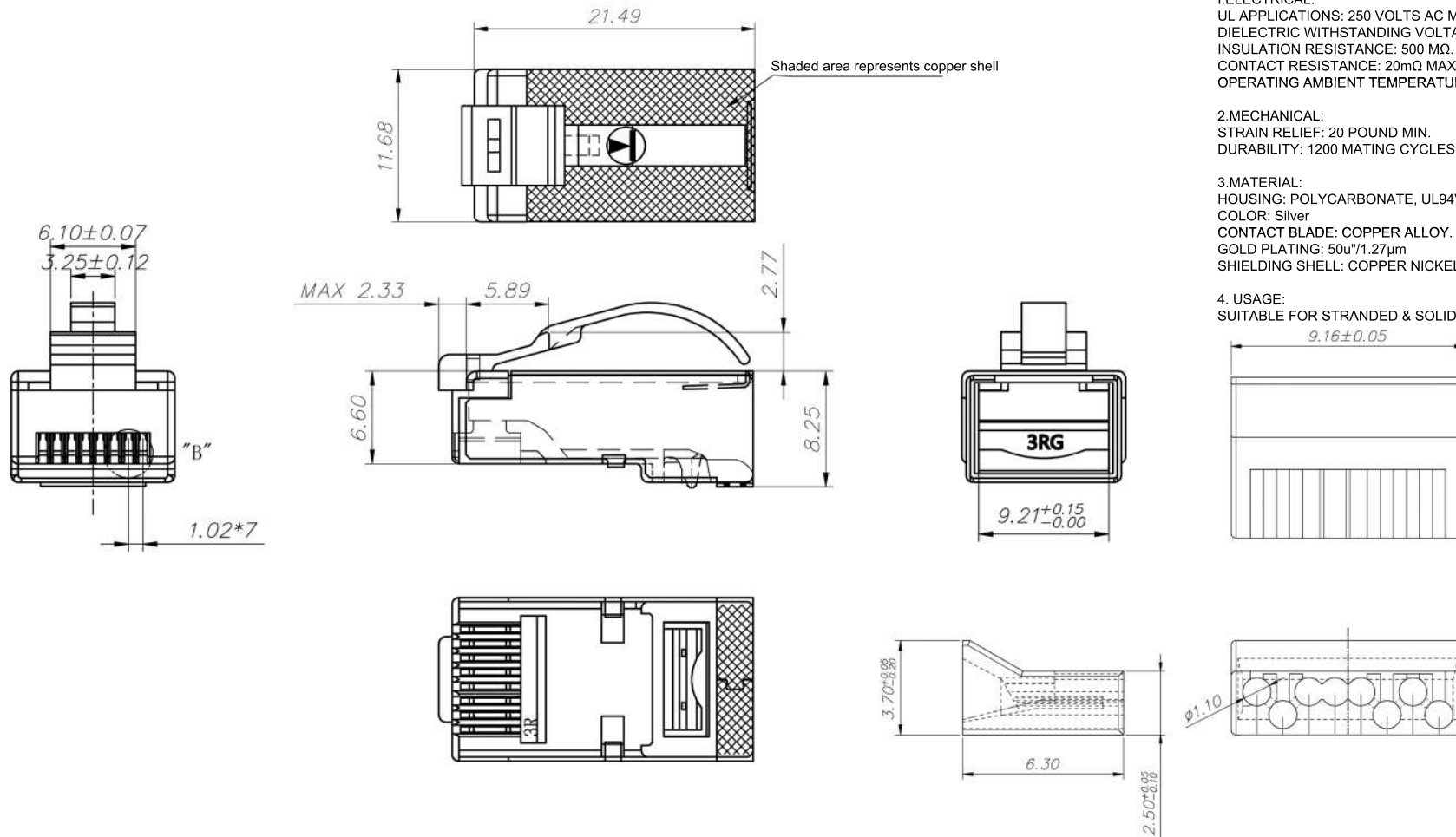
STRAIN RELIEF: 20 POUND MIN.  
 DURABILITY: 1200 MATING CYCLES.

**3.MATERIAL:**

HOUSING: POLYCARBONATE, UL94V-2.  
 COLOR: Silver  
 CONTACT BLADE: COPPER ALLOY.  
 GOLD PLATING: 50u"/1.27um  
 SHIELDING SHELL: COPPER NICKEL ALLOY.

**4. USAGE:**

SUITABLE FOR STRANDED & SOLID WIRE 23AWG 26 AWG.



Suitable for wire O.D. from 0.98 ~1.05