

Modular Plugs RJ45 (8p8c):



Modular Plugs (P88RX15, P88RX50):

8 position 8 contact plug used mainly for data cabling systems (eg Category 3, 4 and 5e). Known mainly as RJ45 connector but also used in RJ48 and RJ61 applications.

Features:

- Suitable for round cable
- UL listed
- 3 prong contact blades are suitable for stranded and/or solid wire from 23 ~ 26 AWG
- Can be used for core O.D. 0.96 - 1.02mm
- Standard or higher gold plating versions available – increased gold plating is suitable for high number of insertions or for use with power over ethernet (POE)

Specifications:

- Net weight (including packaging):
P88RX15 (packed in 50's): 76.8g approx.
P88RX50 (packed in 100's): 152g approx.
- Dimensions (including packaging):
P88RX15 (packed in 50's): 120x95x30mm
P88RX50 (packed in 100's): 125 x 100x 45mm
- Colour: Transparent
- Materials:
Housing: Polycarbonate UL94V-2
Contact blade: Copper alloy
Gold plating: P88RX15: 15µ" / 0.38µm P88RX50: 50µ" / 1.27µm

- **Electrical specification:**
UL applications: 250 Volts AC max. at 2 Amps.
Dielectric withstanding voltage: 1000 Volts AC. 60 secs
Insulation resistance: 500M Ω
Contact resistance: 20m Ω Max.

Packaging: P88RX15: bagged in 50's

P88RX50: bagged in 100's

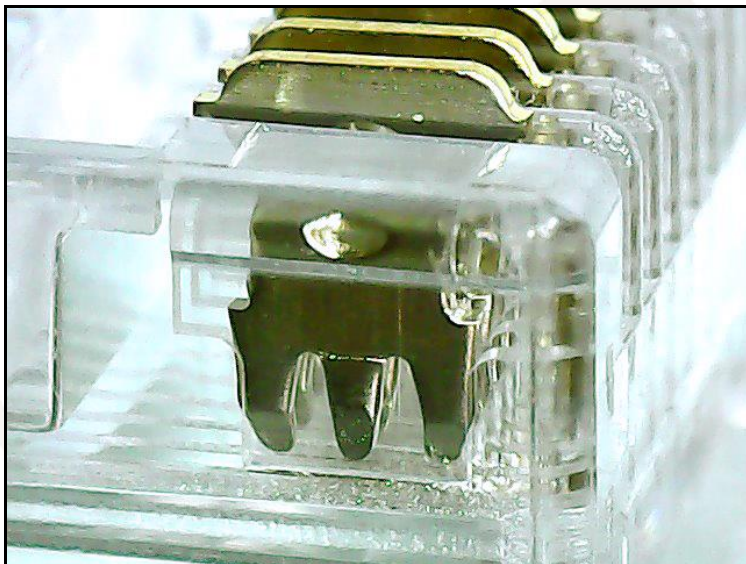
Commodity code: 85444920

EAN: P88RX15: 5055386512826

P88RX50: 5055386512833

Country of Origin: China

Illustrative image:

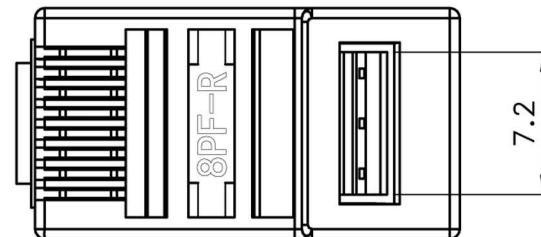
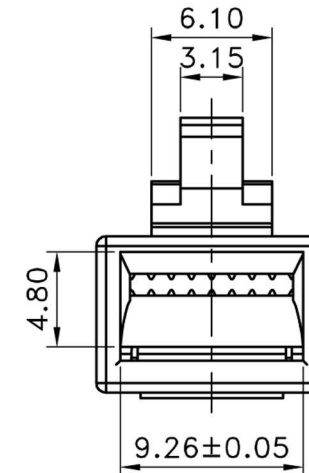
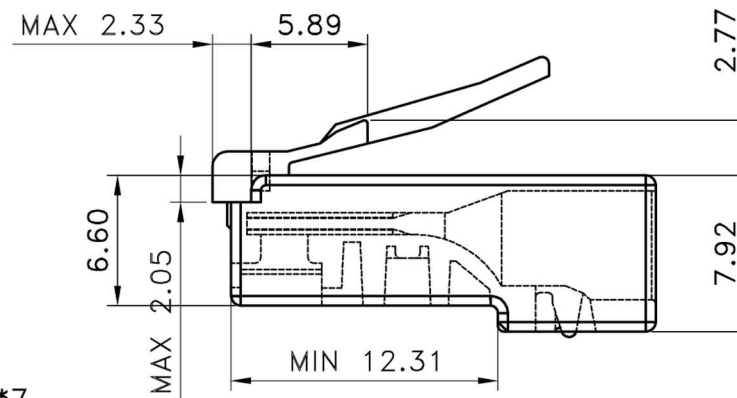
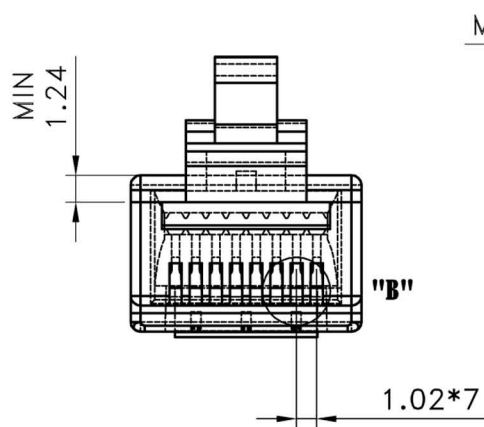
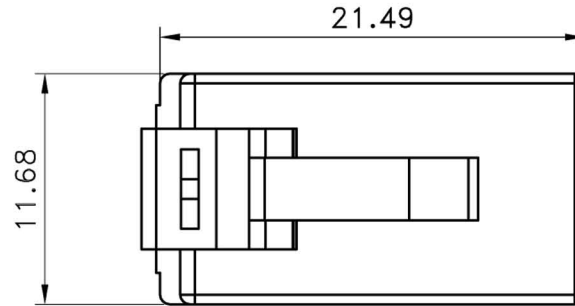



31/10/2024

TUK Ltd, Unit 4, Wimbledon Stadium Business Centre, Riverside Road, London SW17 0BA

Tel: 020 8946 6688 Fax: 020 8879 7410 E-mail: sales@tuk.co.uk Website: www.tuk.co.uk

ROHS Compliant

Code: P88RX50


CONTACT	
GOLD PLATING	50u"
CABLE TYPE	ROUND

SPECIFICATIONS
1. Electrical:

- UL Applications: 250 Volts AC Max. at 2 Amps.
- Dielectric Withstanding Voltage: 1000 Volts AC. 60 sec.
- Insulation Resistance: 500MΩ
- Contact Resistance: 20mΩ Max.

2. Mechanical:

- Strain Relief: 20 pounds min.
- Durability: 1200 mating cycles.

3. Material:

- Housing: Polycarbonate, UL94V-2
- Colour: Transparent
- Contact Blade: Copper alloy
- Gold plating: 50μ" / 1.27μm

4. Usage:

Suitable for stranded & solid wire 23 AWG - 26 AWG
(it can be used for core OD from 0.96 – 1.02mm)