

DisplayPort/Mini DisplayPort Keystone Couplers



DisplayPort /Mini Displayport Keystone Couplers (KDPMDP(BK/Wh)/ KMDPMDP(BK/Wh))

These couplers allow a choice of connecting DisplayPort to Mini DisplayPort (KDPMDP) or Mini DisplayPort to Mini DisplayPort (KMDPMDP) cables with performance which reaches DisplayPort 1.4 standard. Support for 8K visuals, HDR, and high-refresh-rate 4K, it provides a future-proof connection for premium display but now with the advantage of compatibility with the generally accepted keystone format. Available in black or white.

Features:

- Keystone – suitable for use in our wide range of panels, adapters and faceplates
- Displayport 1.4 (backwards compatible)
- Supports 8K (7680×4320) @ 60 Hz with DSC
- HDR10 support for vibrant, high-contrast visuals
- High-bit-rate audio transport

Due to size constraints the DisplayPort connection can only be at rear of keystone mount

Specifications:

- Weight: KDPMDP/ KMDPMDP 12g (including primary packaging)
- Dimensions: KDPMDP/ KMDPMDP: 38.5x23.5x19mm (in primary packaging)
KDPMDP/ KMDPMDP: 38.5x23.5x19mm
- Colour: Black or White
- Material: Housing ABS+Polycarbonate

Packaging: Packed in individual poly bags and then in bag of 20.

EAN: KDPMDPBk: 5055386513861 KDPMDPWh: 5055386513984

KMDPMDPBk: 5055386513878 KMDPMDPWh: 5055386513991

Commodity code: 85444920

Country of Origin: China



Low Profile Panel Mount



Panel Mount



D UNIVERSAL Mount

DisplayPort couplers are available in a variety of mounts

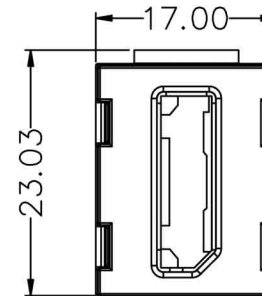
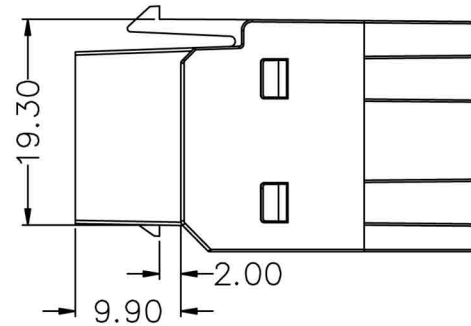
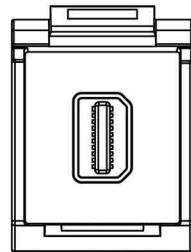
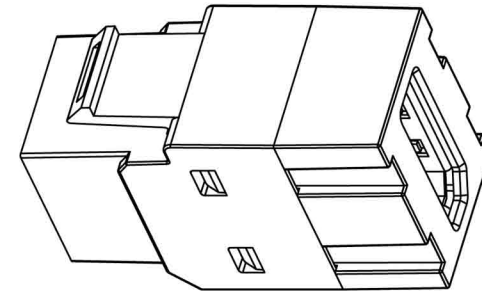
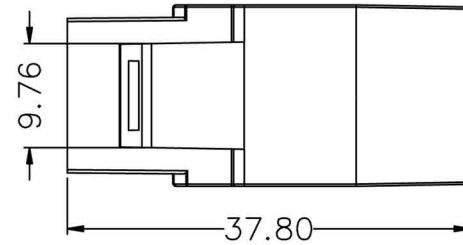
Product Code	Product Description	EAN	Dimensions*	Weight*
KDPMDPBpm	D-M Low profile panel mount (black)	5055386513885	39x36x20mm	14g
KDPMDPDpm	D-M D UNIVERSAL mount (black)	5055386513892	39x31x27mm	14g
KMDPMDPBpm	M-M Low profile panel mount (black)	5055386513915	39x36x20mm	14g
KMDPMDPDpm	M-M D UNIVERSAL mount (black)	5055386513922	39x31x27mm	14g
KDPMDPpm	D-M panel mount (White)	5055386513946	39x36x20mm	22g
KMDPMDPpm	M-M panel mount (White)	5055386513960	39x36x20mm	22g

D=DisplayPort M=Mini DisplayPort

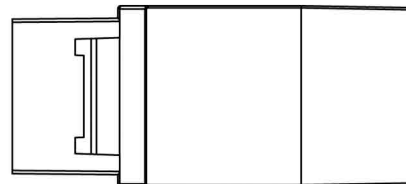
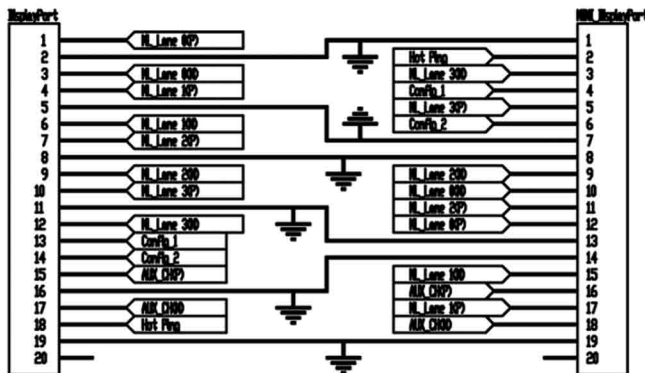
*=In primary packaging

ROHS Compliant

Code: **KDPM DP***
 *=Bk/Wh



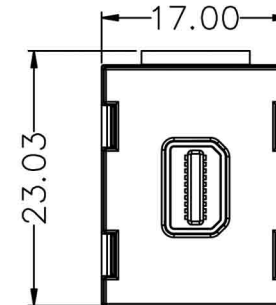
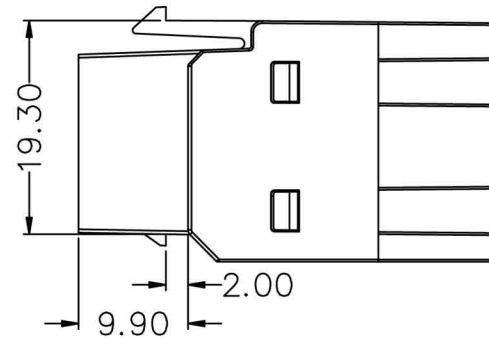
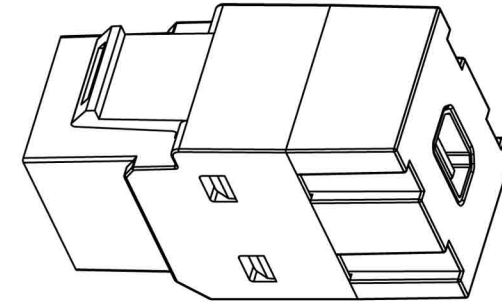
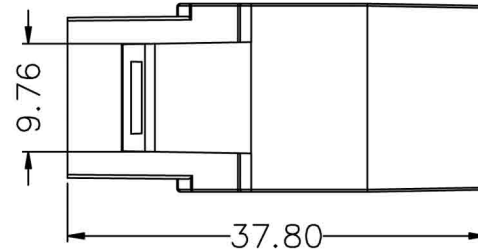
PIN OUT



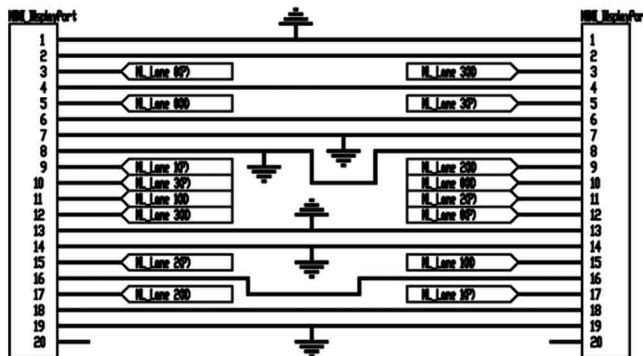
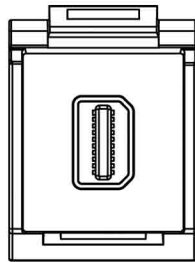
Electrical Specification
 Insulation Resistance: 10MΩ
 Voltage Proof: DC300V/0.01S
 Contact Resistance: 2000mΩ
 DisplayPort 1.2 Compatible
 Resolution up to 3840x2160 @60Hz

ROHS Compliant

Code: **KMDPMDP***
 *=Bk/Wh



PIN OUT



Electrical Specification
 Insulation Resistance: 10M Ω
 Voltage Proof: DC300V/0.01S
 Contact Resistance: 2000m Ω
 DisplayPort 1.2 Compatible
 Resolution up to 3840x2160 @60Hz