

USB C angled female to male tailed socket



USB C angled female to male tailed socket (KUCCbk20, KUCCwh20):

Our USB C angled female to male tailed socket is an ideal solution for transmitting power and data. Designed to fit industry standard keystone patch panels, faceplate adaptors or surface mount boxes

Features:

- USB3.2 connection transmits at 4x the speed of USB3.0 connectors (20 Gbps vs 5 Gbps)
- Standard profile keystone socket offered in black and white
- Suitable for use in keystone patch panels, faceplates or surface mount boxes
- Compact and robust; angled tail allows for minimal intrusion
- Current rating: 5A, maximum 100W (20V/5A)

Specifications:

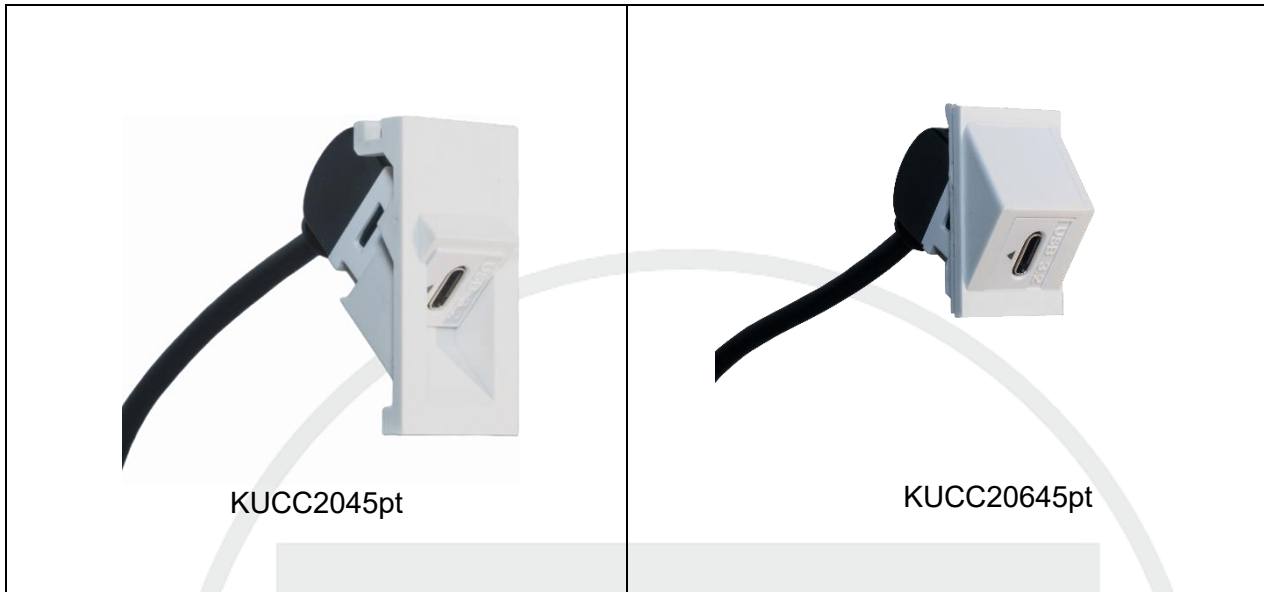
- Net weight (including primary packaging): 22 g
- Dimensions: 200 x 33.67 x 16.30mm
- Colour: black or white socket with black tailed plug
- Materials:
 - Socket: ABS UL94V0
 - Tail: PVC UL2725

Packaging: Packed in individual poly bags then in bags of 20

Commodity code: 85444920

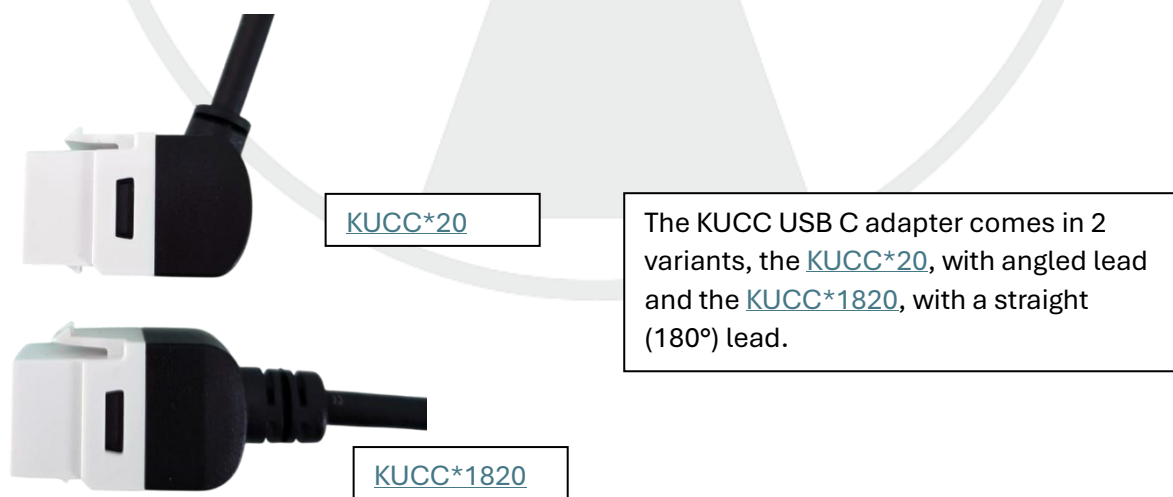
TUK Ltd, Unit 4, Wimbledon Stadium Business Centre, Riverside Road, London SW17 0BA

Also available in Euro and 6C angled faceplates



EAN: KUCCbk20: 5055386511119
KUCCwh20: 5055386511126
KUCC2045pt 5055386513267
KUCC20645pt 5055386513298

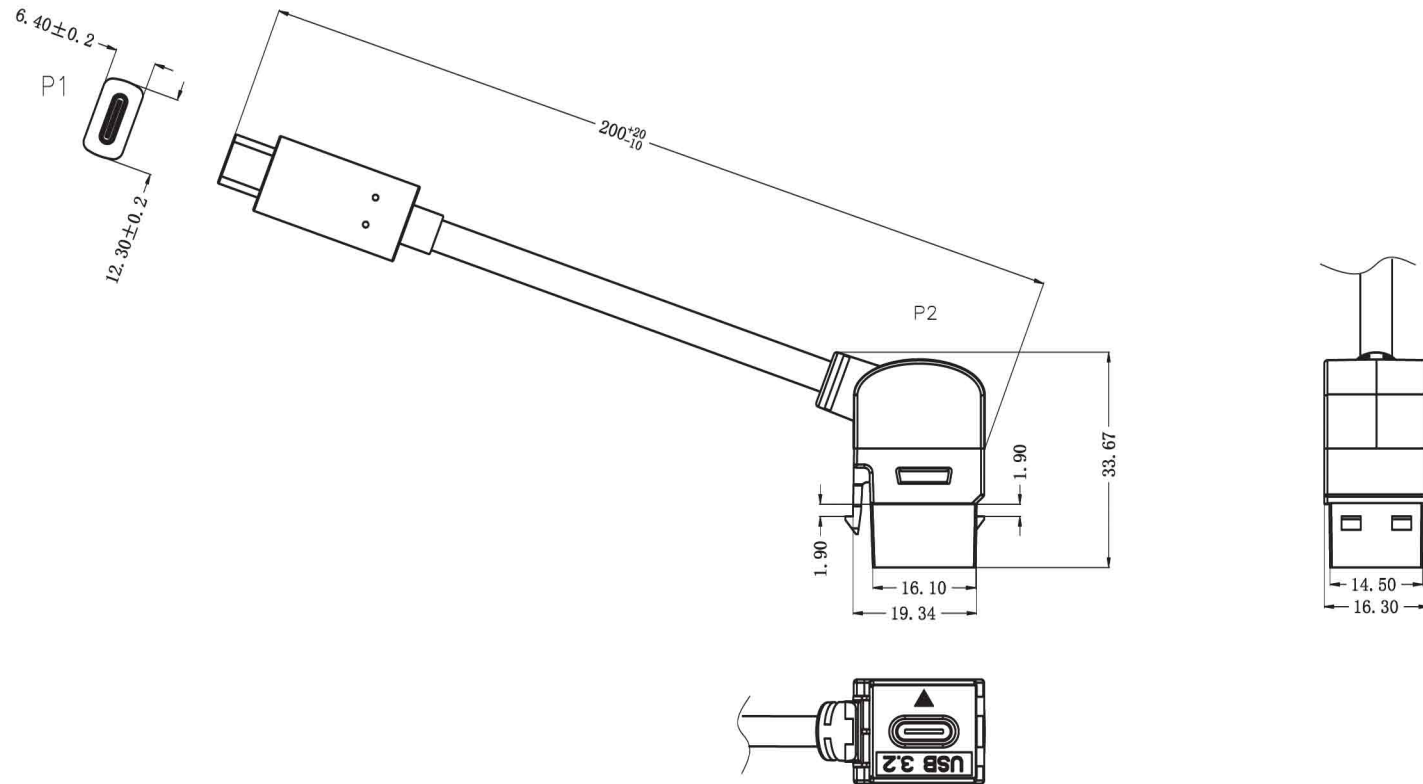
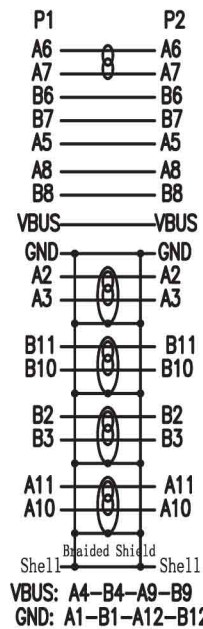
Country of Origin: China



ROHS Compliant

Code: KUCC*20
 (*=Bk/Wh)

Circuit Configuration



Electrical Specification

- Insulation Resistance: 10MΩ
- Voltage Proof: DC300V/0.01S
- Contact Resistance: 3Ω
- Current Rating: MAX 100W(20V/5A)